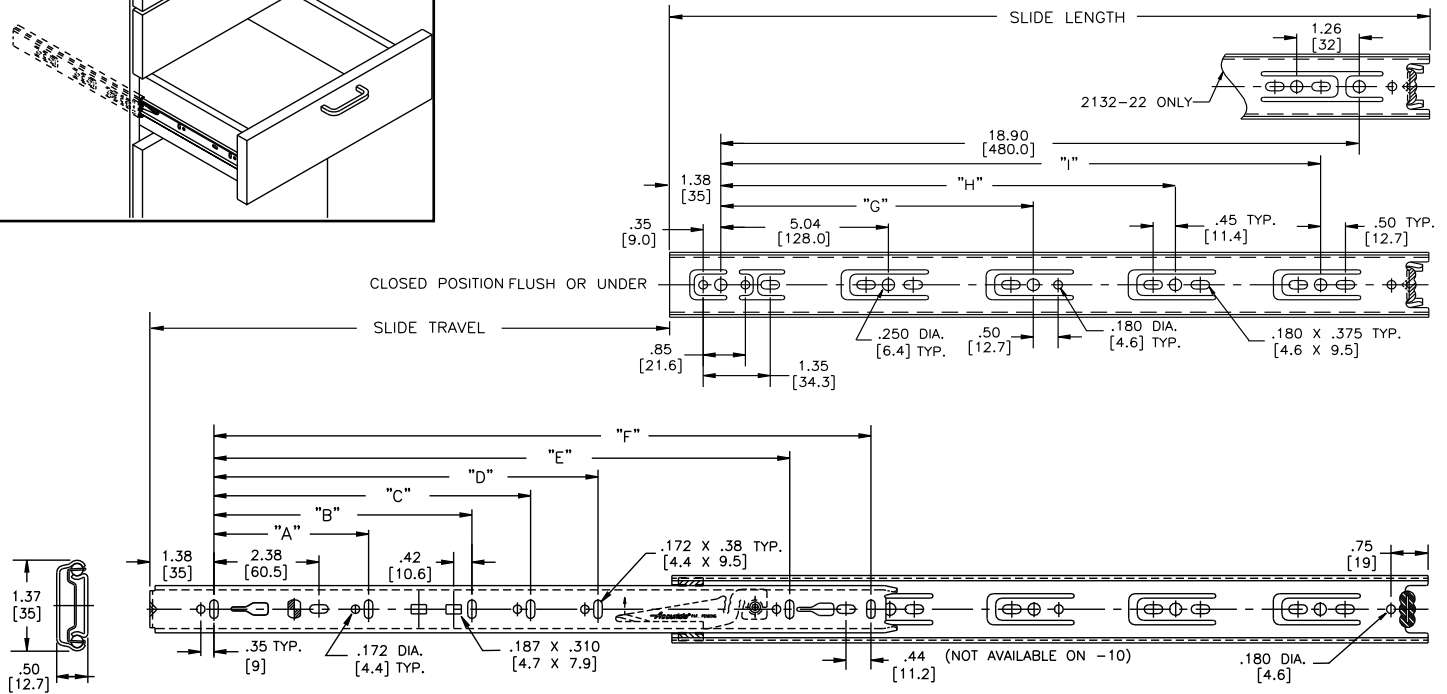
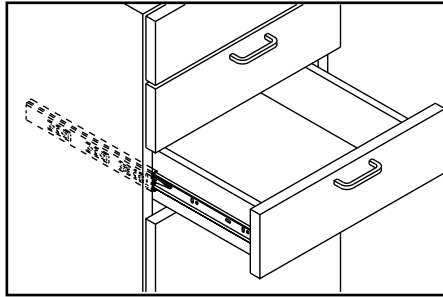


# Accuride®

**Model 2132**  
 3/4 Extension Slide  
 75 lb. Capacity  
 Optional Detent-Out Feature  
 Optional Face Frame Mounting

**Applications:** Medium duty box drawers, residential, and institutional furniture, store fixtures, laboratory furniture. **Not suitable for flat mounting.**



**Finish** Bright electro-zinc (C) or black zinc (CB) plating available

**Length** Even lengths 10" - 28"

**Travel** 3/4 extension

**Height** 1.37"

**Sidespace** .50" +.062 / -.000  
(1/2" +1/16" / -0)

**Load** 75 lbs.\*

**Mounting** Side

**Movement** Steel ball bearings

**Also** Lever disconnect, positive stop, hold-in detent, silenced movement in and out. Optional detent out (ordered as "DO") available.

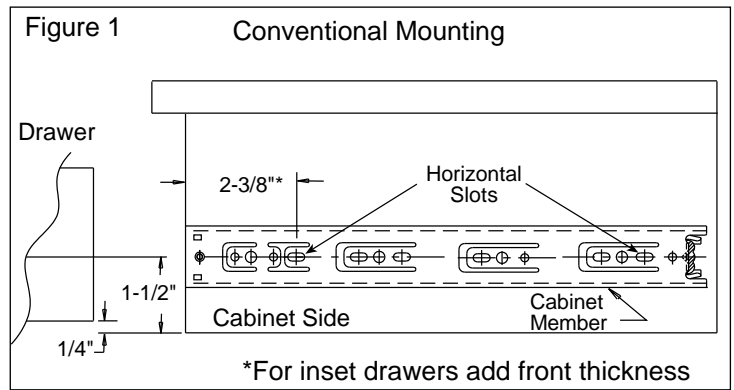
Part Number	Length	Travel	"A"	"B"	"C"	"D"	"E"	"F"	"G"	"H"	"I"
10	9.84 [250]	6.42 [163]	3.78 [96.0]					7.56 [192.0]			
12	11.81 [300]	8.08 [205]	3.78 [96.0]					9.53 [242.0]	8.82 [224.0]		
14	13.78 [350]	10.25 [260]	5.04 [128.0]					11.50 [292.0]	8.82 [224.0]		
16	15.75 [400]	11.05 [281]	5.04 [128.0]					13.47 [342.0]	8.82 [224.0]		12.60 [320.0]
18	17.72 [450]	13.02 [331]	5.04 [128.0]	8.82 [224.0]				15.43 [392.0]	8.82 [224.0]		13.86 [352.0]
20	19.69 [500]	14.79 [376]	5.04 [128.0]	8.82 [224.0]				17.40 [442.0]	8.82 [224.0]		16.38 [416.0]
22	21.65 [550]	16.34 [415]	5.04 [128.0]	8.82 [224.0]	12.60 [320.0]			19.37 [492.0]	8.82 [224.0]	13.86 [352.0]	See Above
24	23.62 [600]	17.74 [451]	5.04 [128.0]	8.82 [224.0]	12.60 [320.0]			21.34 [542.0]	8.82 [224.0]	13.86 [352.0]	18.90 [480.0]
26	25.59 [650]	19.20 [488]	5.04 [128.0]	8.82 [224.0]	12.60 [320.0]	16.38 [416.0]	21.42 [544.0]	23.31 [592.0]	8.82 [224.0]	13.86 [352.0]	21.42 [544.0]
28	27.56 [700]	20.70 [526]	5.04 [128.0]	8.82 [224.0]	11.34 [288.0]	16.38 [416.0]		25.28 [642.0]	8.82 [224.0]	13.86 [352.0]	21.42 [544.0]

\* Load rating based on an 18" slide in a 16" wide drawer cycled 50,000 times.

# Mounting Instructions

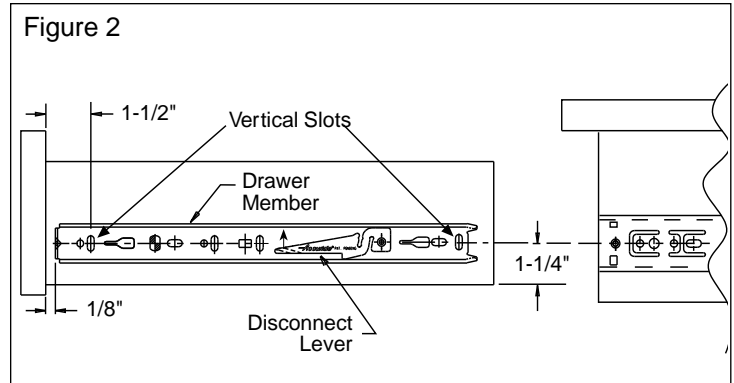
## Conventional Mounting

1. To separate slide members move lever in direction of arrow. Pull firmly to separate members. See figure 2.
2. Install large cabinet members as shown in figure 1.
3. Check that both cabinet members are vertically and horizontally parallel. Adjust as necessary.
4. Install drawer member as shown in figure 2 through vertical slots. (Make sure ball bearing retainers are fully forward.) Insert drawer member and close drawer completely.
5. Adjust position and install two more screws in round holes after free movement is achieved.



## 32mm System Mounting

1. To separate slide members move lever in direction of arrow. Pull firmly to separate members. See figure 4.
2. Install large cabinet members using 6mm screws as shown in figure 3.
3. Check that both cabinet members are vertically and horizontally parallel.
4. Install drawer member as shown in figure 4 through vertical slots. (Make sure ball bearing retainers are fully forward.) Insert drawer member and close drawer completely.
5. Adjust position and install two more screws in round holes after free movement is achieved.



## Ordering Procedure

Complete your slide order for Accuride model 2132 by specifying the following:

Total Required Slides \_\_\_\_\_ 100 Pair C 2132-18-DO D

Finish \_\_\_\_\_

Model \_\_\_\_\_

Length \_\_\_\_\_

Optional Detent-Out Feature \_\_\_\_\_

Polybag Packaging - *includes screws* \_\_\_\_\_

## Packaging

**Distributor (D) Pack** All lengths are packaged 10 pair per box. Polybag includes one pair of slides packed with screws.

**Bulk (P) Pack** All lengths are packaged 10 pair per box. Slides and screws are ordered and packaged separately.

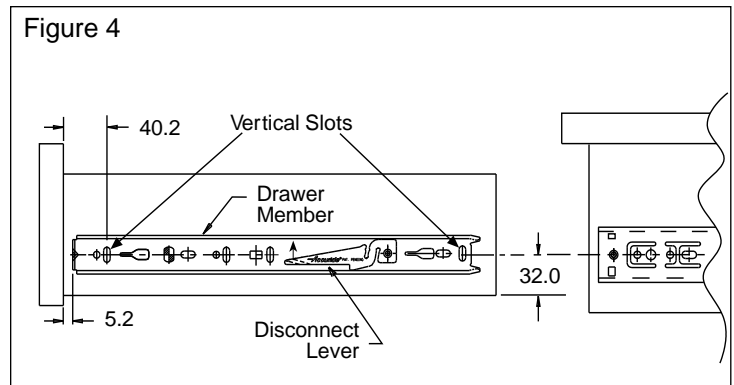
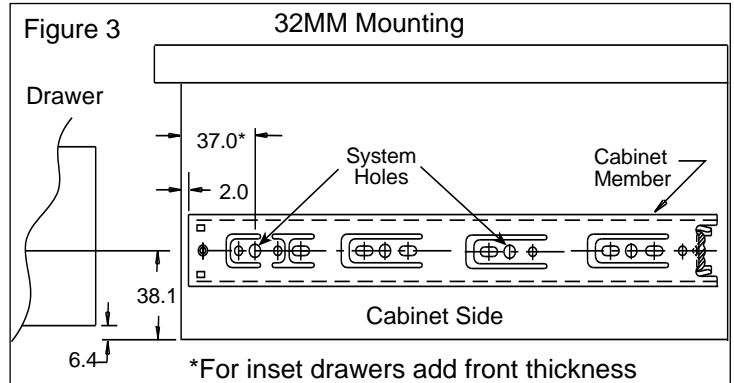
## Face Frame Brackets

For face frame mounting order kit 4180-0321-XE. Kit contains 2 front brackets and 2 rear brackets and installation instructions. Order 1 kit per pair of slides.

## Specifications

Slide members and ball retainers: Cold rolled steel  
Ball bearings: Carburized steel

**Note:** Specifications, materials, prices, terms and delivery are subject to change without notice.



Authorized Distributor

# Accuride

Headquarters and Main Plant

12311 Shoemaker Avenue Santa Fe Springs, CA 90670

TEL (562) 903-0200 • FAX (562) 903-0208

Manufacturing, Engineering and Sales

United States • Germany • Japan • Mexico • United Kingdom

Copyright © 1998 Accuride International Inc.

Printed in U.S.A. 3700-9392(9391)-MK049-R3-0498