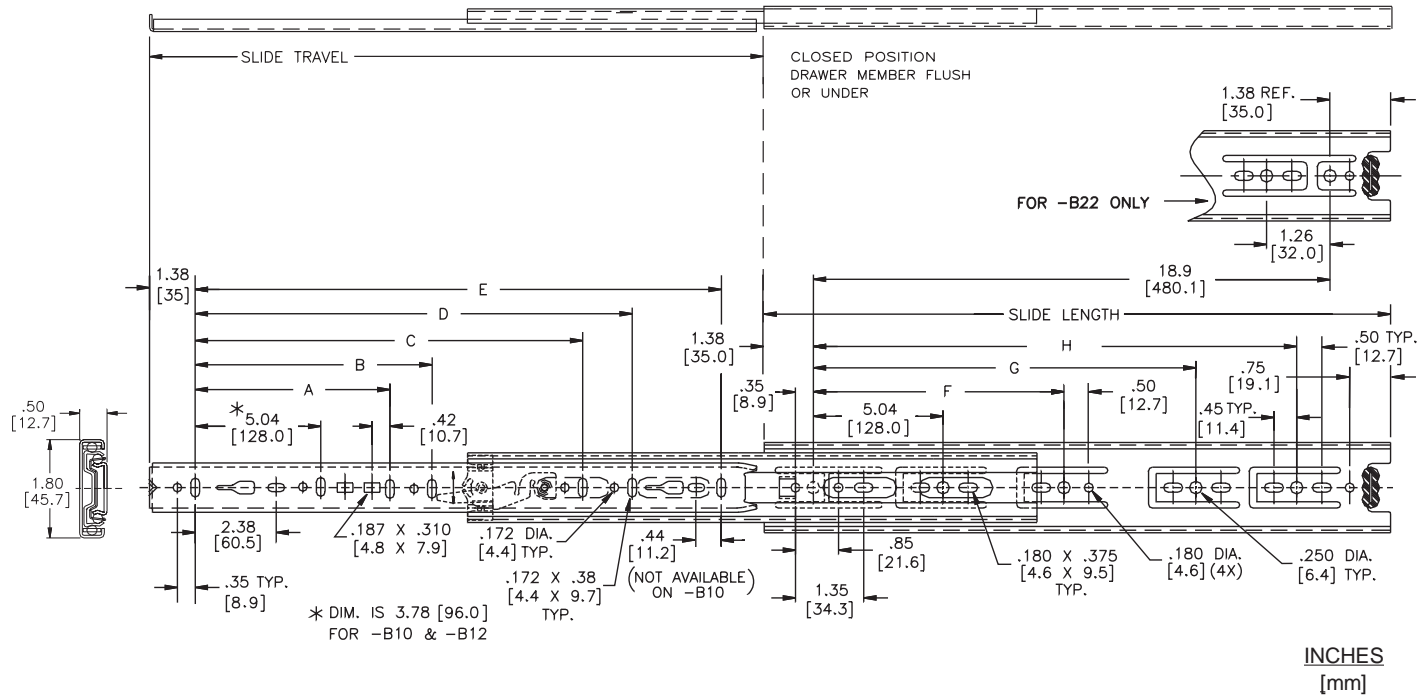


**MODELS 3832B, 3834B, 3837B,**  
32MM Full Extension Drawer Slide  
With Optional Face Frame Bracketry

**Applications:** Use wherever a medium duty full extension slide is required. Not for lateral file drawer applications. ♦ Use for side mount only.



**Sidespace** .50" (+.062 -0.000)

**Length** Model 3832B & 3837B available in 10" - 28"  
Model 3834B available in 12" - 28" only

**Height** 1.80"

**Disconnect** Front, handed lever

**Hardware** Flat head 6mm Euro System screw or #8 pan head screw

**Mounting** Side; optional brackets for face frame mounting

**Features** Positive stop; cabinet member holes located in 32mm increments; hold-in detent; silenced open and closed positions

\* Load rating is based on an 18" slide on a 16" wide drawer cycled 50,000 times.

♦ A lateral file drawer is wider than it is deep.

⊠ Not available on 3834-B22

| Model | Load Rating * | Extension                          | Ball Bearings  | Finish  |
|-------|---------------|------------------------------------|--|---|
| 3832B | 100 Lb.       | Full                               | Steel  | (C) Electro Zinc<br>(CB) Black Zinc<br>(EW) White<br>Electrocoating |
| 3834B | 90 Lb.        | Full extension plus 1" over-travel | Acetal Polymer-Drawer Member                         |   |
| 3837B | 100 Lb.       | Full                               | Steel-Cabinet Member<br>Acetal Polymer-Drawer Member |   |

| Part Number | Length      | Travel 3232 3837 | Travel 3834 | A            | B             | C               | D             | E             | F            | G             | H             |
|-------------|-------------|------------------|-------------|--------------|---------------|-----------------|---------------|---------------|--------------|---------------|---------------|
| -B10        | 9.84 [250]  | 9.57 [243]       |             |              |               |                 |               | 7.55 [192.0]  |              |               |               |
| -B12        | 11.81 [300] | 12.00 [305]      | 13.00 [330] |              |               |                 |               | 9.52 [242.0]  | 8.82 [224.0] |               |               |
| -B14        | 13.78 [350] | 14.00 [355]      | 15.00 [381] |              |               |                 |               | 11.49 [292.0] | 8.82 [224.0] |               |               |
| -B16        | 15.75 [400] | 16.00 [406]      | 17.00 [432] |              |               |                 |               | 13.46 [342.0] | 8.82 [224.0] | 12.60 [320.0] |               |
| -B18        | 17.72 [450] | 18.00 [457]      | 19.00 [483] |              |               | 12.60 [320.0]   |               | 15.43 [392.0] | 8.82 [224.0] | 13.86 [352.0] |               |
| -B20        | 19.69 [500] | 20.00 [508]      | 21.00 [533] |              |               | 12.60 [320.0]   |               | 17.40 [442.0] | 8.82 [224.0] | 16.38 [416.0] |               |
| -B22        | 21.65 [550] | 22.00 [559]      | 23.00 [584] |              |               | ⊠ 12.60 [320.0] | 16.38 [416.0] | 19.37 [492.0] | 8.82 [224.0] | 13.86 [352.0] | 17.64 [448.0] |
| -B24        | 23.62 [600] | 24.00 [610]      | 25.00 [635] | 8.82 [224.0] |               | 16.38 [416.0]   |               | 21.34 [542.0] | 8.82 [224.0] | 13.86 [352.0] | 18.90 [480.0] |
| -B26        | 25.59 [650] | 26.00 [660]      | 27.00 [686] | 8.82 [224.0] |               | 16.38 [416.0]   | 21.42 [544.0] | 23.31 [592.0] | 8.82 [224.0] | 13.86 [352.0] | 21.42 [544.0] |
| -B28        | 27.56 [700] | 28.00 [711]      | 29.00 [737] | 8.82 [224.0] | 11.34 [288.0] | 16.38 [416.0]   | 21.42 [544.0] | 25.28 [642.0] | 8.82 [224.0] | 13.86 [352.0] | 21.42 [544.0] |

## MOUNTING INSTRUCTIONS

### Mounting Into Frameless Cabinets

1. Separate slide members by lifting up (LH) and pushing down (RH) disconnect levers.
2. Install large cabinet members. For conventional mounting see Figure 1. See Figure 3 for 32mm mounting.
3. Check that both cabinet members are vertically and horizontally parallel. Make necessary adjustments.
4. Install drawer member through vertical slots. See Figure 2 for conventional mounting. See Figure 4 for 32mm mounting.
5. Insert drawer member making sure ball bearing retainers are fully forward. Close drawer completely.
6. Adjust position and install two more screws in round holes.

### Ordering Procedure

Complete your slide order for Accuride models 3832B, 3834B, OR 3837B by specifying the following:

Total Required Slides \_\_\_\_\_ 100 Pair C 3832 -B16 D  
 Finish \_\_\_\_\_  
 Slide Model \_\_\_\_\_  
 Slide Length \_\_\_\_\_  
 Polybag Packaging - includes screws \_\_\_\_\_

### Packaging

**Distributor (D) Pack:** All lengths are packaged 10 pair/box. Polybag includes one pair of slides packed with screws.

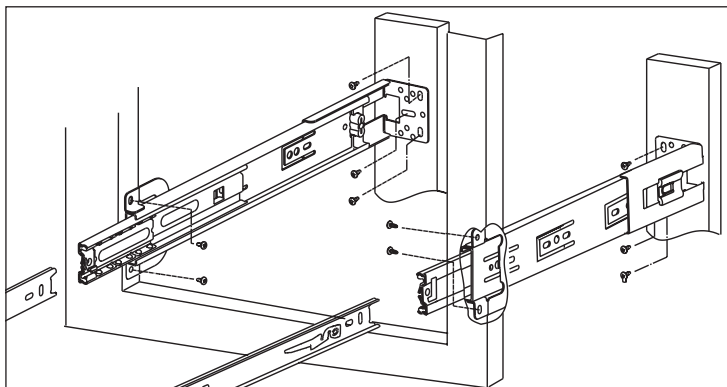
**Bulk Pack:** All lengths are packaged 10 pair/box. Slides and screws are ordered and packaged separately.

### Optional Face Frame Brackets

For face frame mounting order kit 4180-0322-XE. Brackets are packaged together in a polybag. Order one kit per pair of slides. See below.

Kit contains:

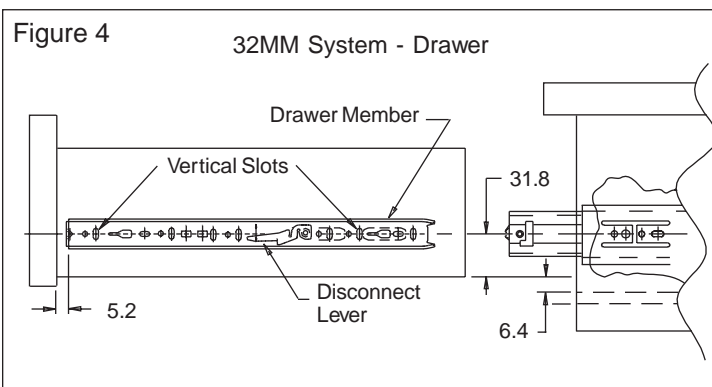
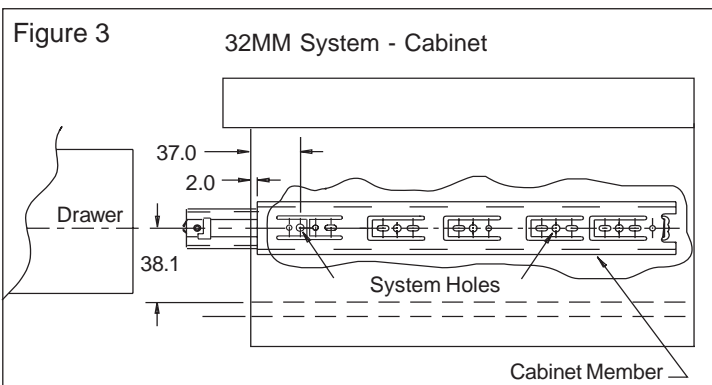
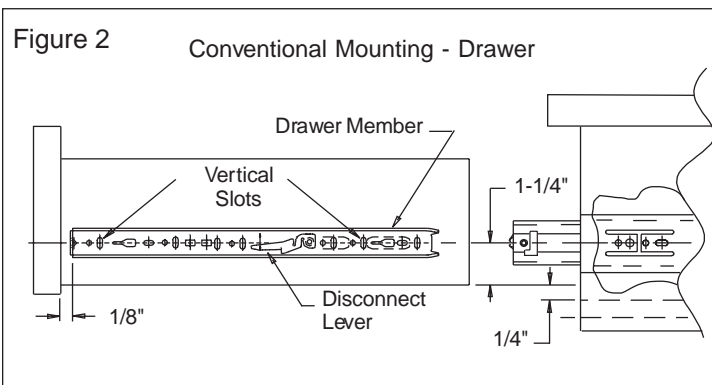
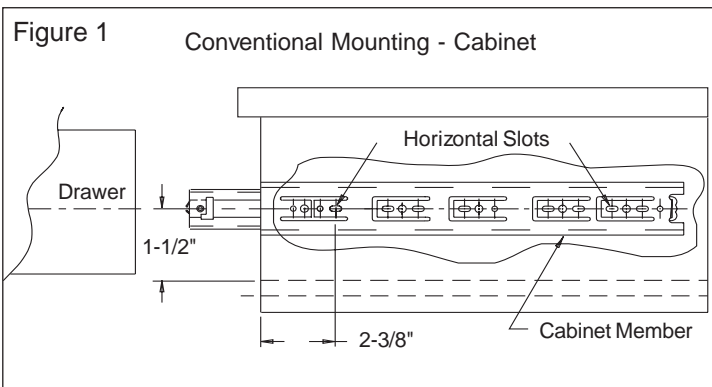
|                     |                  |
|---------------------|------------------|
| 2 front brackets    | P/N 4010-0516-CE |
| 2 rear brackets     | P/N 4080-0220-CE |
| 1 instruction sheet |                  |



### Specifications

Slide members and ball retainers: Cold rolled steel  
 Ball bearings: Acetal polymer and carburized steel

**Note:** Specifications, materials, prices, terms and delivery are subject to change without notice.



# Accuride

Headquarters and Main Plant

12311 Shoemaker Avenue, Santa Fe Springs, CA 90670

TEL (562) 903-0200 • FAX (562) 903-0208

Manufacturing, Engineering, and Sales

United States • Germany • Japan • Mexico • United Kingdom

Copyright © 1999 Accuride International Inc.

Printed in U.S.A.

3700-9421(1069)-MK068-R1-0799