

FEATURES:

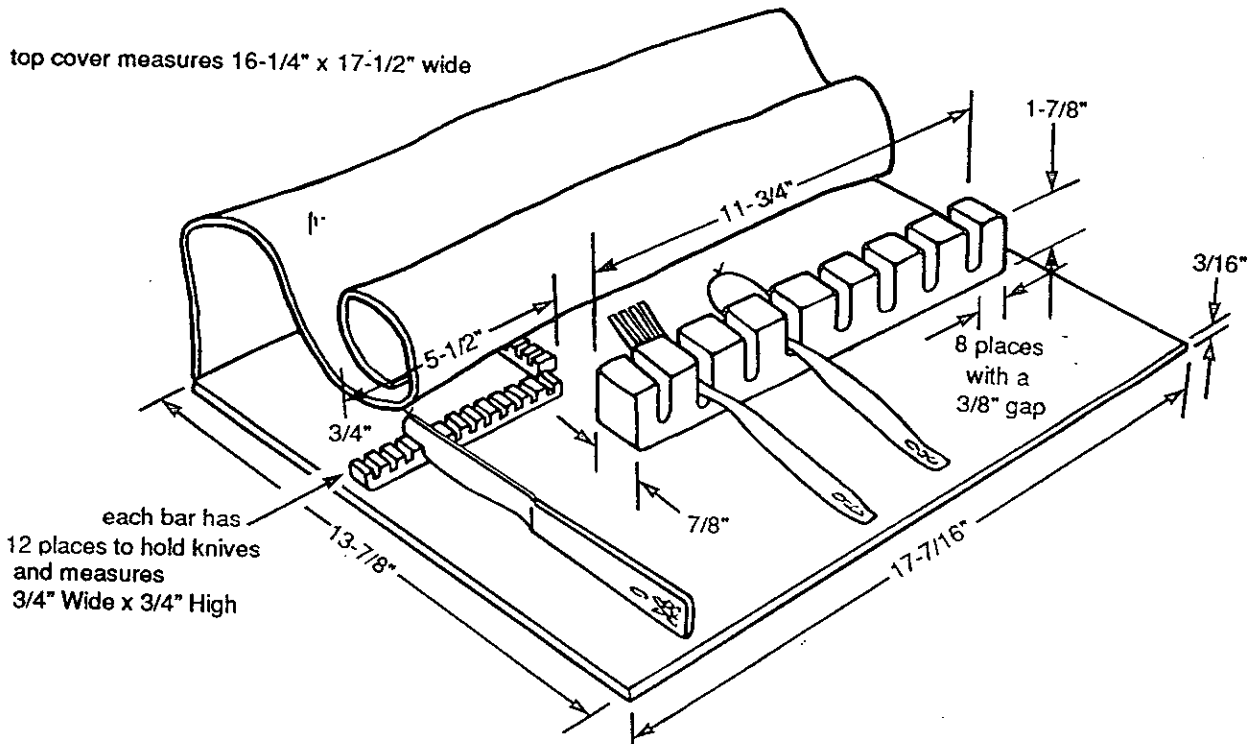
- 2 knife blocks with 12 slots each and 1 spoon and fork block with 8 slots
- cloth liner covers a 1/4" panel measuring 13-3/4" x 17-1/2", A fold over soft cover cloth hinges off of the 17-1/2" side
- cloth is a dark brown heavy flannel called Pacific Silvercloth
- material is treated to prevent tarnish
- panel backing is generally glued to inside bottom of box
- inside chest dimensions, should measure 14" by 17-1/2"
- box depth should be 2-1/2"
- lid depth should be 7/8"

APPLICATION:

SPECIFICATIONS:

Parts used to construct a protective chest for silverware.

top cover measures 16-1/4" x 17-1/2" wide



each bar has 12 places to hold knives and measures 3/4" Wide x 3/4" High