

FEATURES:

- made from select kiln dried beech or maple hardwood
- slide parts interlock, preventing drawer from tipping while extended
- slide can be adapted to fit most applications
- cut to length if needed
- cabinet part is usually 1/2" longer than drawer part
- stain, finish and wax if desired

APPLICATION:

A bottom center mount drawer slide that keeps the drawer properly tracked and aligned.

SPECIFICATIONS:

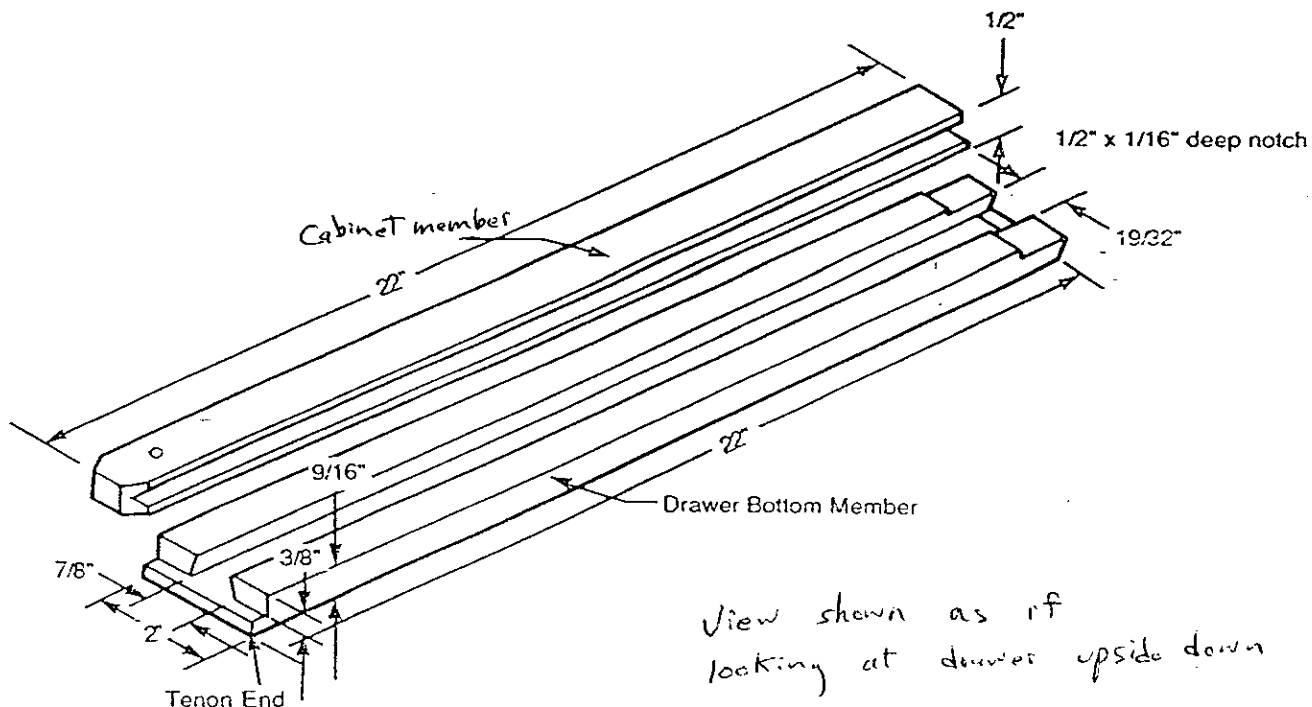
INSTALLATION:

Note: In transit, this slide may develop a slight warped appearance, but once installed and coated with a quality pastwax, it will operate smoothly and accurately.

Drawer part of slide is fitted to the underside of the drawer. For new construction, the drawer front is mortised out to accommodate the tenon. The tenon can be cut off for drawers that are already constructed. The following procedure is for new construction.

Steps:

1. Mortise drawer front for 3/16" x 1-15/16" tenon on drawer half at side. (See [C] - Fig. 3).
2. Layout and cut a 9/16" x 1-15/16" notch in back piece of drawer for extended drawer half of slide. (See [A] - Fig. 3). The slide members should be aligned perfectly so that the drawer will slide smoothly.
3. Attach a cleat to the back of the cabinet on which to rest the cabinet half - make sure the slide will be level.
4. Glue drawer part to the bottom of the drawer.
5. Attach cabinet runner to front and rear cross nails with F.H. wood screws. Align carefully.
6. Install drawer and check alignment.



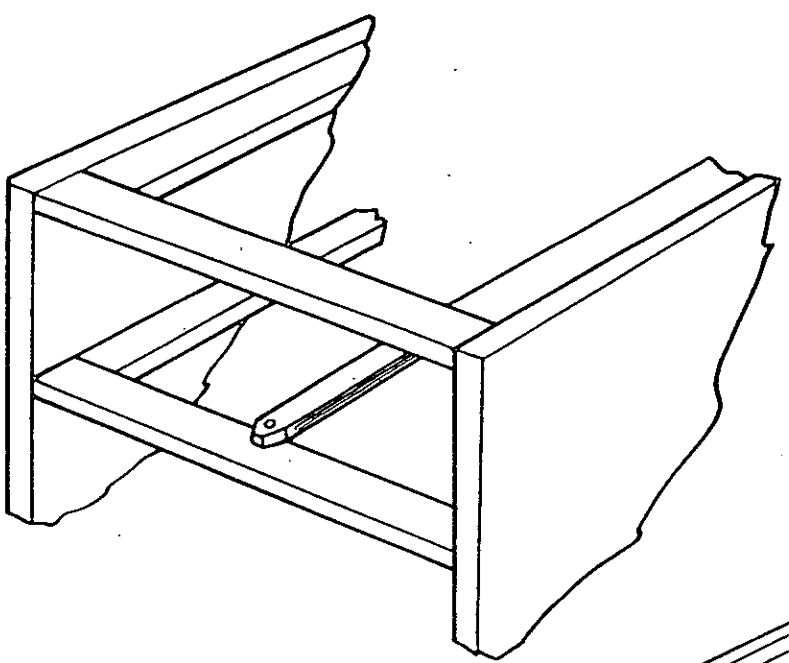
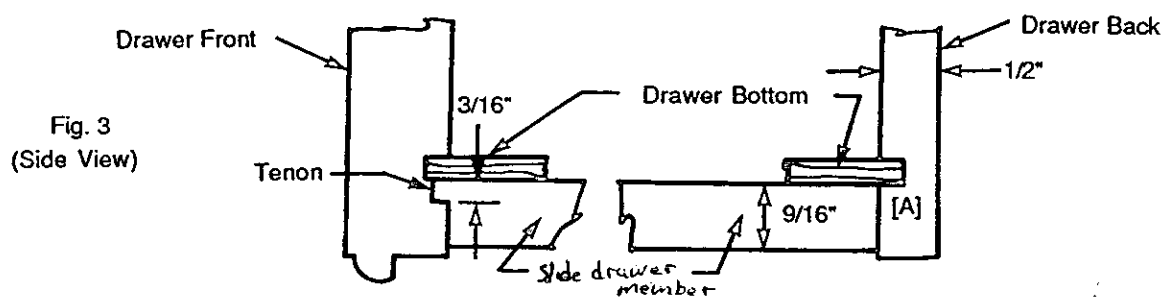
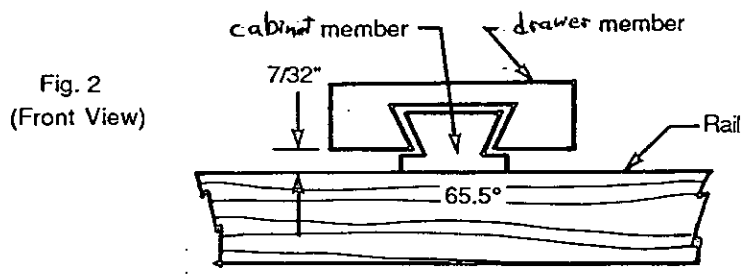


Fig. 4

Fig. 5

