

**FEATURES:**

**Wood Center Guide - 29892**

- made of kiln dried hardwood (birch or maple)
- made to fit base cabinets up to 24" deep
- requires attachment to face frame/drawer and to cross rail at back
- stain, finish and wax if desired

**Slide Glide - 28357**

- glide set consists of one track holder and two side saddles
- self lubricating with wood center guide
- attaches to back of drawer

**APPLICATIONS:**

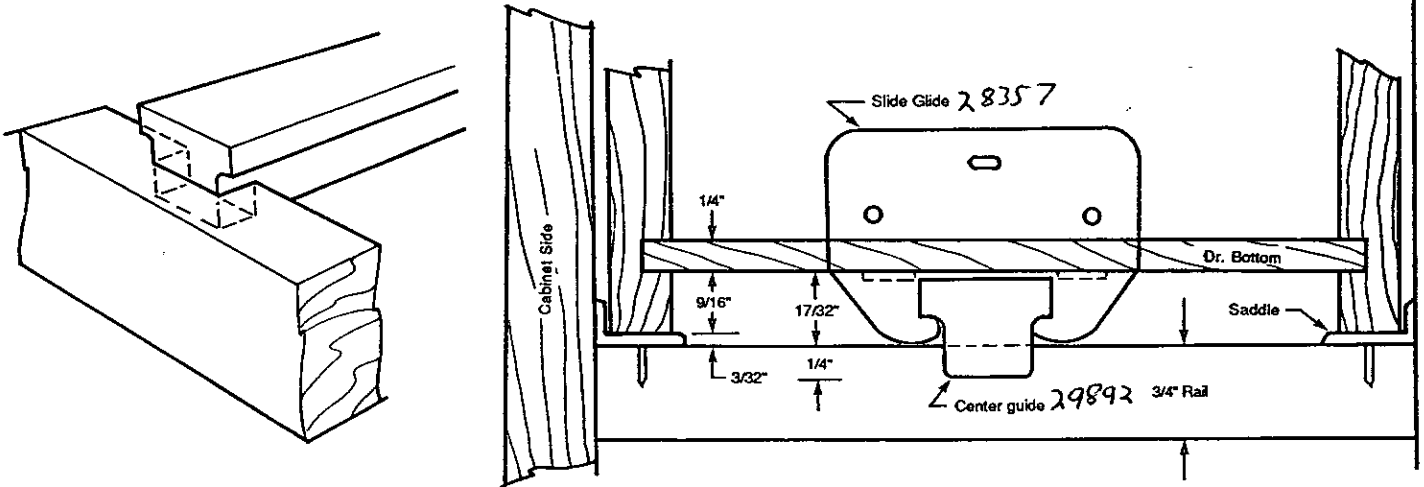
These components keep drawer movement aligned to cabinet front.

**INSTALLATION:**

**Introduction:** There are several methods for installing this drawer guide system. It is impossible to show all of these variations. Therefore the following drawings show one method for installation in existing cabinets. They can be modified for your particular application.

**Method 1 - For existing or new construction.**

The drawer guide when used this way will not have a stop feature. The bottom of drawer side will have to be 9/16" above bottom edge of drawer side as shown in Fig. 2. Center guide will need to be rabbeted at front to clear drawer bottom. (See Fig. 3) Attachment of center guide at back of cabinet must keep center guide level.



**SPECIFICATIONS:**

