

FEATURES:

- for overlay tops and back panels 3/4" thick
- semi concealed barrel is exposed
- edge mounting to back panel
- top opens to 195°
- 1/16" gap between top and box or stereo cabinet
- free swing
- cold rolled steel with brass plated finish
- requires no machining
- phillips head 5/8" x#4 flat head brass screws included
- fixed pin

APPLICATION:

A hinge developed especially for a toy box lid or a stereo cabinet top.

SPECIFICATIONS:

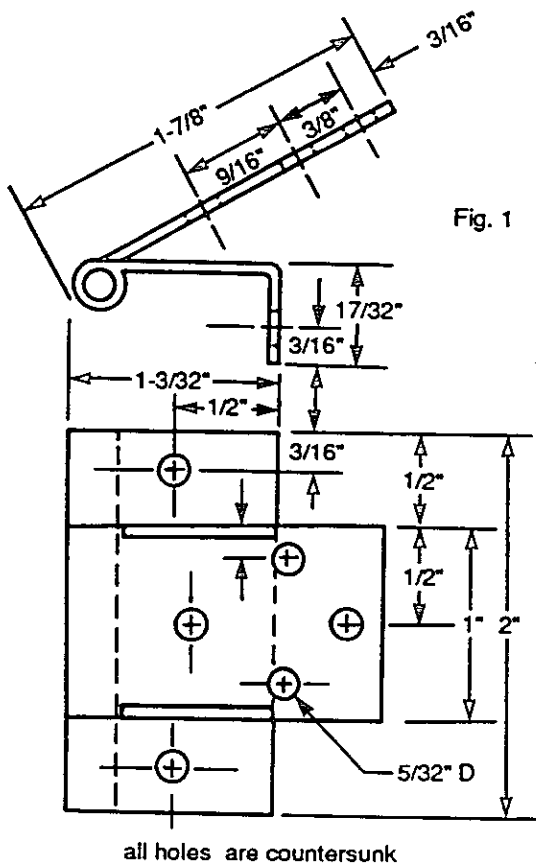


Fig. 1

INSTALLATION:

1. Place hinge Part A on edge of chest back. (See Fig. 2)
2. Mark location of holes with scratch awl.
3. Drill pilot holes. (for the #4 - 5/8" F.H. Brass wood screws) (softwood- 3/64", hardwood - 1/16")
4. Install screws into Part B.
5. Open hinge, Part A, to vertical position and clamp top to hinge. (Top can overhang some)
6. Do steps 2,3,4 above.

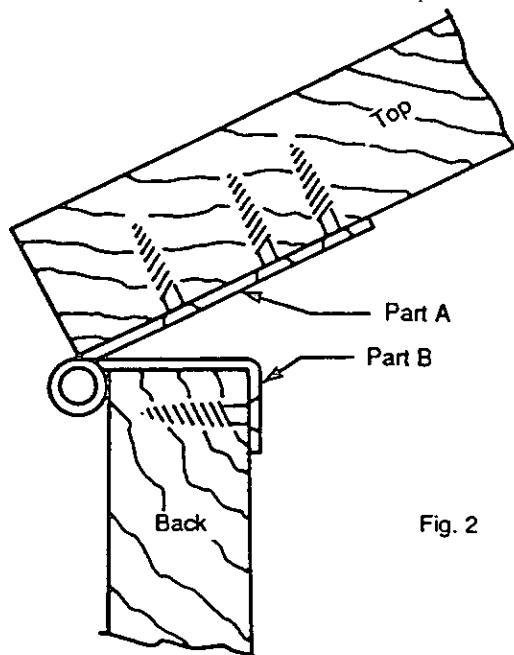


Fig. 2

