

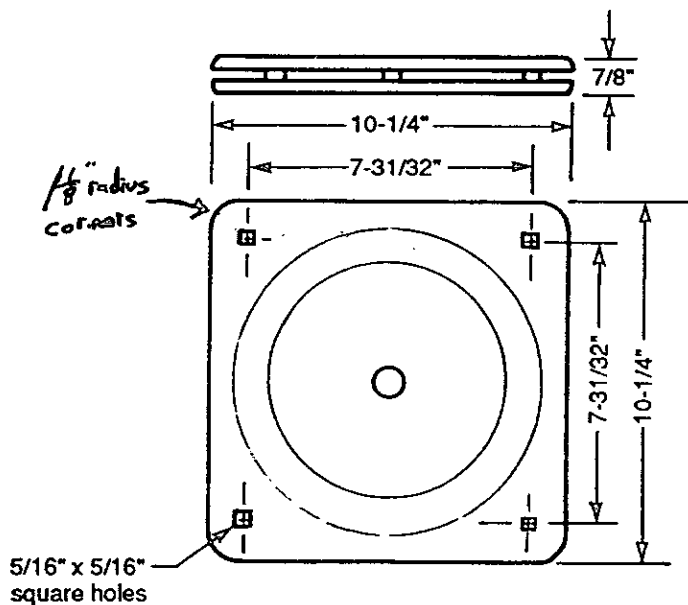
FEATURES:

- built for extra strength for swivel chairs, larger televisions and other heavier items
- plates are 12 gauge steel
- steel ball bearings with nylon bearing retainer/ spacers
- for flat pitched mounting
- long durability
- delivers smooth rotation-not a free spring rotation
- plates are 10-1/4" x 1- 1/4 square
- hard to swivel on lighter applications
- center load rating of 1026 lbs.

APPLICATIONS:

To be used for swivel chairs, larger televisions and other heavier items.

SPECIFICATIONS:



INSTALLATION:

To Base:

1. Determine how and where the swivel can be used.
2. Fasten swivel to base with pan head screws or small bolts.
3. Place swivel into position on base. Turn the top part of swivel and mark location of bolts through bottom plate holes onto base.
4. Drill holes for bolts or screws.

To Top:

5. Disengage bolts from base and use same procedure in fastening upper swivel plate.

Note: Screws can not be fastened to both base and swivel shelf. One part will need a bolt installation. Unless an access hole is made through base.

