

FEATURES:

- a complete set of hardware to make a "removable" tray
- adjusts to three positions
- made of cold rolled steel
- zinc plated
- supplied with installation screws - four 5/8" x #6 F.H. nickel plated, 4-1/2" #7 R.H. nickel plated
- supplied with a pair of latches and catches
- high chair strap also available - see #85771

APPLICATION:

A complete set of high chair hardware that has adjustable positions.

SPECIFICATIONS:

INSTALLATION:

1. Position tray on high chair arms and fasten with clamps.
2. Assemble latch and catch and locate where they will be fastened on arm and tray.
3. mark location of holes for screws.
4. Unclamp tray from arm and drill pilot holes.
5. Install screws and hardware.

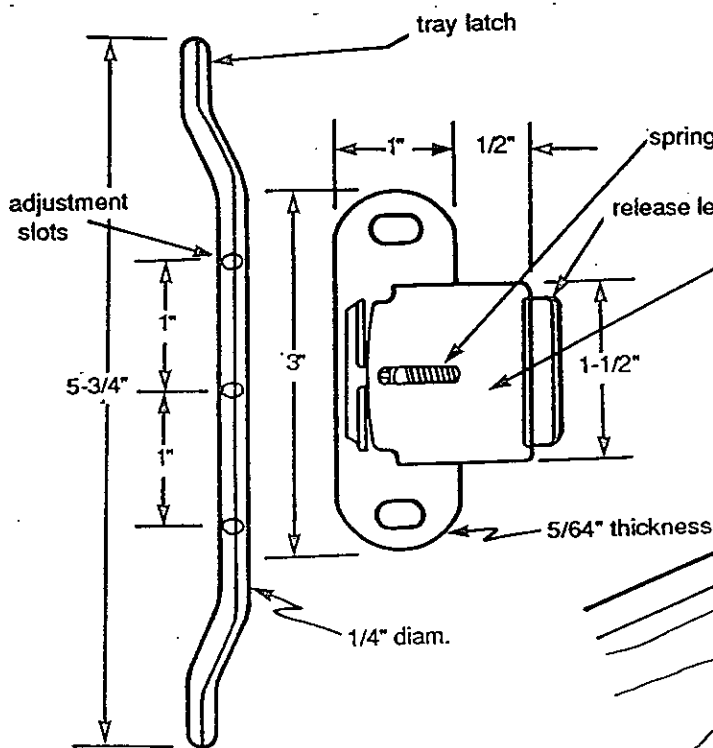


Fig. 1

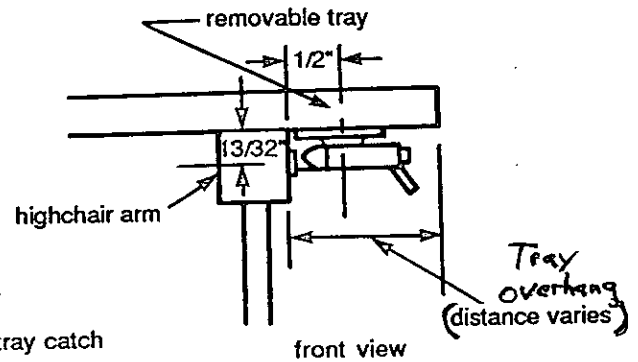


Fig. 2

