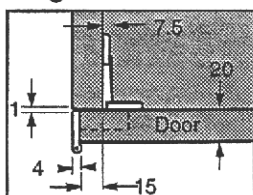


270* Opening Hinge

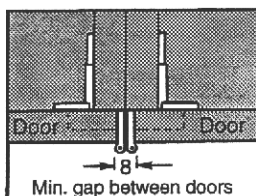
Instructions

- 1.) Locate the center of the hinge cup hole on the back side of the door. Measure back from the edge of the door 12.5mm and drill a 35mm (1-3/8") diameter by 16mm (5/8") deep hole.
- 2.) Insert the hinge cup into this hole and position cups so that the hinge arm is perpendicular to the edge of the door. Screw hinge cup in place.
- 3.) Drill holes for the hinge mounting plate on the inside of the cabinet 37mm (1-15/32") from the front edge of the cabinet. (Note: the hinge can be adjusted vertically by breaking the serrated teeth out of the oblong holes). Screw the hinges in place.
- 4.) Slide the door with the hinge cups onto the hinges and clip in place.

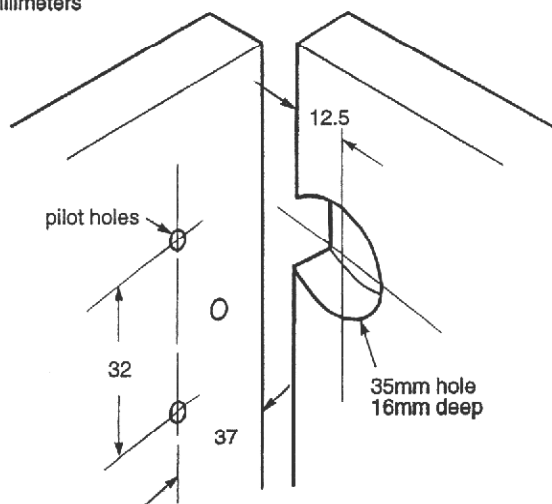
Single



Back to Back



Note: all measurements are in millimeters



31458
57506

ROCKLER®
WOODWORKING  AND HARDWARE

© Rockler Companies Inc. 1997,1998