

**FEATURES:**

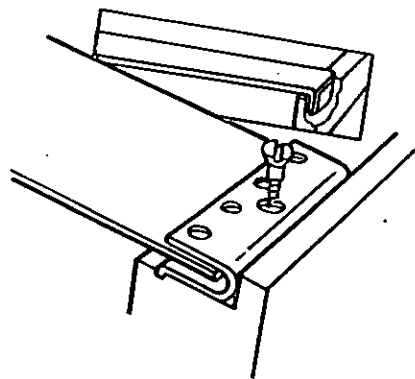
- 2" wide
- canvas inlay in a rubber coating
- flexible and resilient - returns to original position once weight is removed
- eliminates need for crossweb strapping
- rubber facing reduces cushion slide
- washable and hygienic
- use metal ends 41004 for attaching to chair frame

**APPLICATION:**

A durable webbing material for use under chair cushions to give more spring and comfort.

**SPECIFICATIONS:**

- 2" wide
- sold by the foot
- can be purchased in rolls up to 100' long



-should be spaced 2-1/2" to 3" apart

