

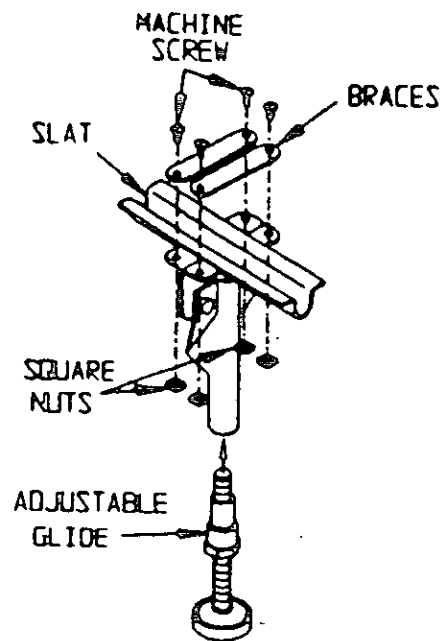
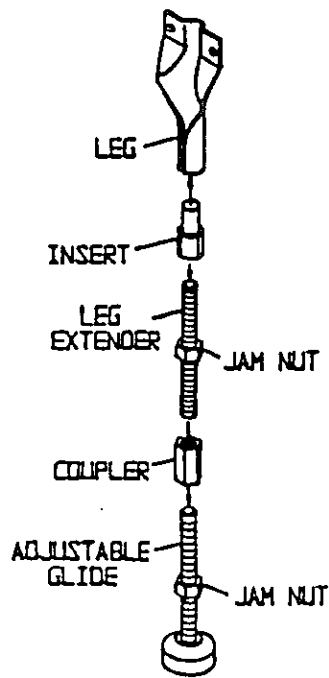
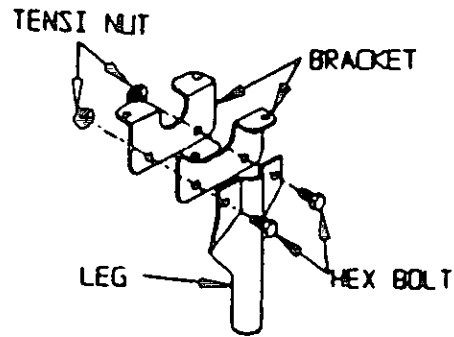
FEATURES:

- *steel components (with exception of insert and foot of leg which are plastic)
- *adjusts from 7-1/2" to 10-1/2" high w/o leg extender or up to 14-1/2" with leg extender (included)
- *can be screwed directly to wood bed slat with supplied braces, screws and nuts

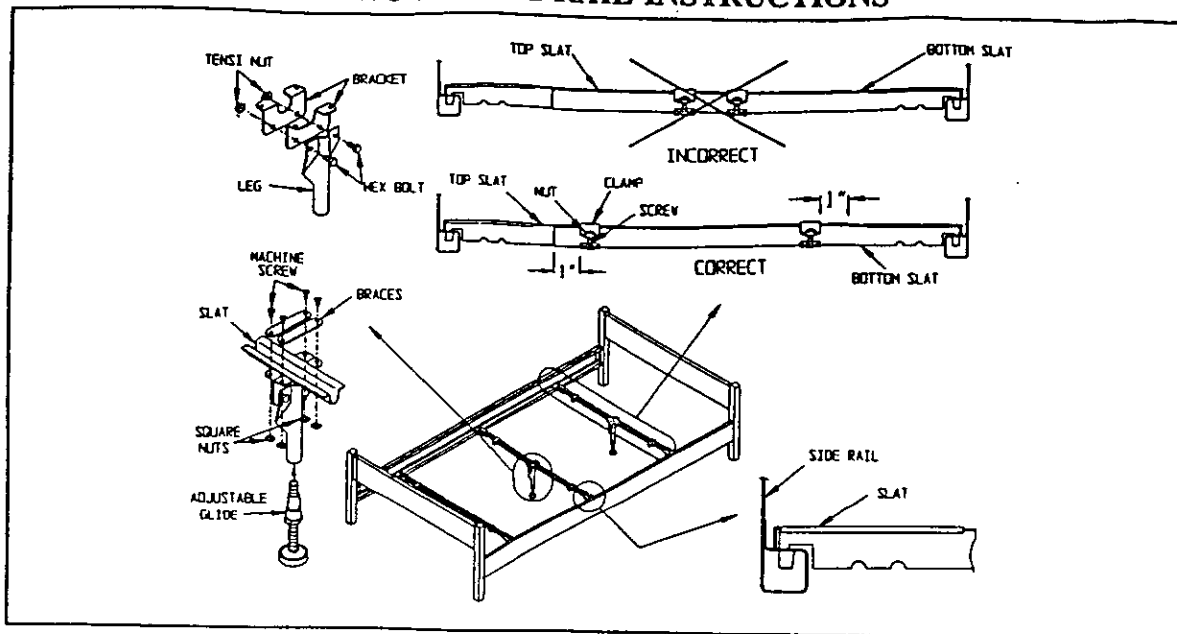
APPLICATION:

Add this center bed foot to new or existing beds to help support midsection of bed and prevent sagging.

SPECIFICATIONS:



WOODTONE RAIL INSTRUCTIONS



STEP 1 ATTACH SIDE RAILS TO HEADBOARD AND FOOTBOARD AS SHOWN ABOVE.

STEP 2 ATTACH SLATS INTO TOP SLOTS IN SIDE RAIL. SEE BOTTOM RIGHT DRAWING.

STEP 3 SLIDE ONE CLAMP APPROXIMATELY 1 INCH FROM END OF BOTTOM SLAT THEN TIGHTEN WITH SCREW AND NUT. SLIDE SECOND CLAMP 1 INCH FROM END OF TOP SLAT THEN TIGHTEN WITH SCREW AND NUT. SEE TOP RIGHT DRAWINGS FOR CORRECT AND INCORRECT WAYS. REPEAT FOR ALL OTHER SLAT ASSEMBLIES. (NOTE: IF CLAMPS ARE NOT ATTACHED TIGHTLY AS DESCRIBED ABOVE, THIS MAY CAUSE FAILURE OF PRODUCT.)

CENTER LEG ATTACHMENT AND ADJUSTMENT

STEP 1 ATTACH BRACKETS TO LEG USING ENCLOSED TENSI NUTS AND HEX BOLTS AS SHOWN IN TOP LEFT DRAWING.

STEP 2 INSERT ADJUSTABLE GLIDE INTO LEG AND ADJUST TO LOWEST POSITION. NEXT ATTACH LEG ASSEMBLY TO SLAT IN THE CENTER OF BED USING BRACES, MACHINE SCREWS, AND SQUARE NUTS AS SHOWN IN BOTTOM LEFT DRAWING.

STEP 3 ADJUST GLIDE TO APPROXIMATELY 1/4" OFF FLOOR BEFORE INSTALLING BOX SPRING AND MATTRESS.

NOTE: IF OPTIONAL 2ND LEG IS USED ATTACH PER ABOVE STEPS TO HEAD SLAT.

(99300261)

INSTRUCTIONS FOR USING LEG EXTENDER

USE ONLY IF BOTTOM OF BOXSPRING IS 11" OR HIGHER OFF FLOOR.

Place insert into center leg of bed. Screw coupler half way onto adjustable glide. Screw leg extender into coupler until it comes in contact with adjustable glide. Screw jam nut onto leg extender. Screw leg extender assembly completely into the insert. After bed is assembled adjust glide to desired height approximately 1/8" off the floor and tighten with jam nuts. See drawing below.

