

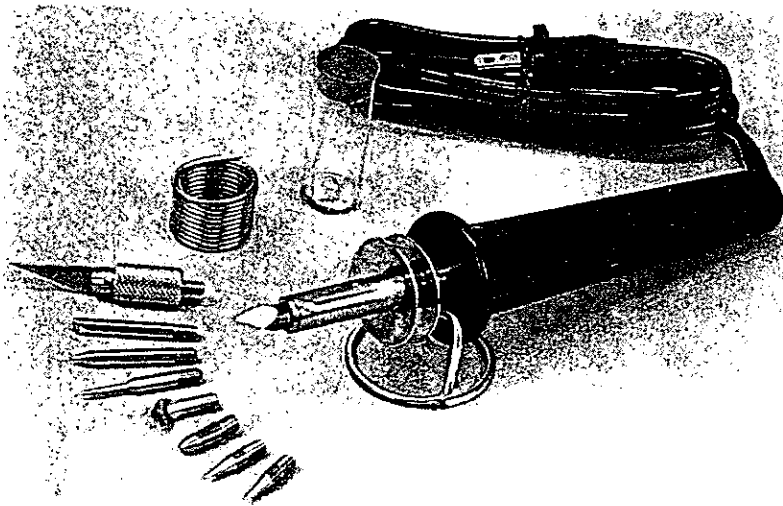
FEATURES:

- professional quality
- five functions: woodburning, soldering, leather crafts, stencil making, and cutting/fusing plastics
- 30 watts
- includes 4 woodburning tips, 3 soldering tips and 2 cutting tips
- packaged in heavy duty plastic storage case
- flute texture grip on tool handle
- U.L. listed
- made in USA

APPLICATION:

This versatile tool set lets you practice a variety of fun and creative skills without an investment in a lot of expensive tools.

SPECIFICATIONS:



Model L51KB

This kit contains:

- 1-30 Watt Professional Tool
- 4-Woodburning Points
- 3-Soldering Tips
- 2-Cutting & Fusing Tips
- 1-Solder, 3 Ft.
Rosin Core, 50/50
- 1-Storage Case
- 1-Instructions

Soldering

This is an excellent soldering tool for electronics, radio, TV, Stereo, hobby kits, model railroads and small wiring projects.

To solder correctly:

1. **Clean the work thoroughly**—down to the bare metal—to ensure a good bond. Use a file, steel wool or sandpaper to clean the metal. A dirty or corroded surface prevents the bonding action between the solder and metal from taking place.
2. **Use the proper solder.** The solder supplied is a high quality 50/50 (50% tin) rosin core solder that can be safely used on any soldering project. Solders having a high tin content (up to 63%) will provide a stronger bond.
3. **Tin the tip.** Tinning is the application of solder to the tip. **As the tip heats**, rub the rosin core solder over the working end of the tip until it is completely coated. Wipe off excess solder on a wet sponge. A tip that is not tinned will not transfer heat properly to the work. Tinning also prevents damaging oxides from forming on a tip. During soldering, keep the tip tinned by applying additional solder to the tip. After use, 'tin' the tip as the iron cools.

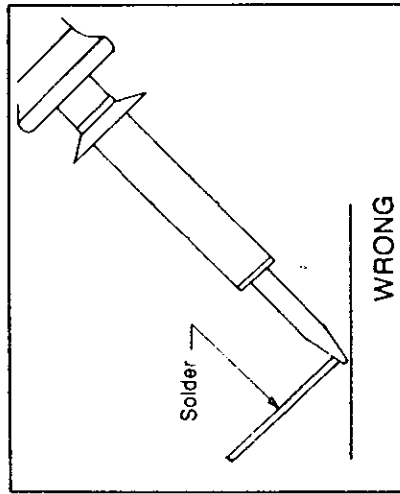
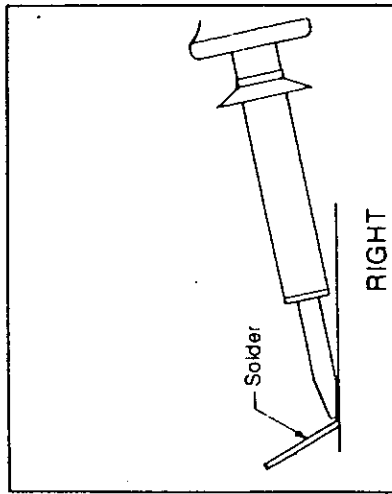
4. **Before soldering, mechanically connect the work pieces** to each other to provide additional strength to the joint. Crimping, splicing, wire-to-terminal and overlap connections are very suitable for this purpose. Hold the pieces stationary during soldering, and apply a clamp or other holding device where butt or lap connections are used.

5. **Heat the metal parts** with the iron and continue to heat until the parts are hot enough to melt the solder. Apply the rosin core solder to the heated metal joint (not the tip) and allow the solder to flow into the joint.

—continued—

Soldering (continued)

Once heated and the solder applied, the bonding action occurs within two seconds. Do not continue to heat the parts after the solder has flowed into the joint.



6. **Allow the parts to cool** before moving to permit the bond to "set".
7. **After soldering, unplug the iron.** Apply solder to the tip as it cools. After reaching room temperature, the tip should be loosened to prevent freezing within the iron.

Creative 5-in-1 Tool

General Information

Congratulations. You now own one of the most versatile and best performing pyrotools on the market. It is a professional quality tool that will give you many months of pleasure and enjoyment.

Caution
This tool is NOT A TOY— it gets extremely hot. Do not touch the point (tip) or shaft as severe burns can result. Always place the shaft and tip on the iron holder during idle periods to prevent burn damage to tables or other work surfaces. Always let the iron cool completely before placing it in storage. Always use pliers to remove tips and points from the tool after every use to prevent them from freezing in the iron.

Leather Craft

For burning designs in leather, many of the techniques and hints described later for wood-burning will apply.

Use considerable care when placing a hot point on leather as leather burns very quickly. Apply a very light pressure and move the points more quickly to prevent overburning.

Cutting and Fusing/Pattern Cutting

Use the knife blade tip to cut styrofoam or to cut and fuse rope. Allow iron to thoroughly heat the cutting tip before using.

Woodburning

With a little time, patience and practice, woodburning can be easily learned. It will be an enjoyable art and/or craft activity and an activity for every member of the family.

In its simplest form, a pattern is traced on wood and then burned in. As skill develops, original art patterns can be created, burned, painted, and/or carved in relief for very exciting and dramatic results. These skills can also be used to decorate furniture and accessory pieces.

To learn the art of woodburning, consider the following:

1. **Softer woods with fine grain patterns** and a finely finished surface are the best. Basswood, walnut and cedar woods are recommended. They burn more easily, particularly basswood, and provide natural and beautiful background tones that enrich any design.
2. **Practice.** Before doing any permanent work, take the time to get a "feel" of the tool and how it can be maneuvered for consistent results. Practice with each tip to understand what it is capable of doing.

3. **Start with simple uncluttered designs** that have relatively straight lines. Lightly trace a design on the wood using carbon paper. It is not necessary to trace every detail as each can be added on a freehand basis to give it your individual "touch". Add shadows or other details carefully. As skill is developed, work with increasingly more intricate designs.

4. When using the tool, **always move the tool toward you.** This means that you will have to turn the wood often so that the pen movement can be made toward you. By doing so, the point can be more easily controlled and the burned lines will be more uniform.

—continued—

Woodburning (continued)

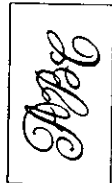
5. **Do not hold the pen tightly** - it will cause finger fatigue and more heat is absorbed by the fingers.
6. **Let the pen burn the wood.** Move the pen more slowly for darker lines, more quickly for lighter lines. It is not necessary to press down hard with the point to obtain a deeper and/or darker line.

7. Woodburning points supplied include:



Deep, dark detail
and shading

All-Purpose
WB25KT



Broader lines
and
softer detailing

Script
WB25PT



Subtle shading
and
gradation

Grading
WB25ST



Soft and
delicate
feeling

Dot
WB25DT



Stencil Cutting

Using the small pointed tip WB25DT, allow iron to heat. Place stencil on a smooth, hard, fireproof surface (i.e. glass, anodized aluminum).

When cutting, arrange the pattern so that the line being cut permits you to move the pen toward you. This will require the pattern to be turned frequently so that the cutting stroke can always be toward you.

This method affords more control of the hot cutting point and results in a better cutout. If the iron becomes too hot for any particular stencil, unplug iron and use while iron is cooling. Replug iron as necessary.

Quality Products

Every Wall Lenk tool is backed by over 40 years' experience in the design and manufacture of quality soldering and pyrotools for craftsmen and industry.

LIMITED WARRANTY

Wall Lenk Corporation warrants its products and accessories to be free from defective materials and workmanship for a period of ninety(90) days from date of original purchase

This warranty does not apply to any product which has been disassembled, damaged or defaced, subjected to misuse, abnormal service and mishandling, nor any product altered, repaired, or disassembled by anyone other than Wall Lenk Corporation. During this warranty period, Wall Lenk Corporation, at its option, may repair or replace such product at no cost to the purchaser for labor and/or materials when returned with transportation costs pre-paid to Wall Lenk Corporation, together with proof of purchase.

This warranty is the only warranty applicable to Wall Lenk Corporation's products and accessories and is expressly in lieu of any and all other warranties, expressed or implied, including any implied warranty of merchantability or fitness for a particular purpose. Wall Lenk Corporation shall not be liable for consequential or incidental damages resulting from breach of warranty. The remedies expressly set forth herein are exclusive and no other remedy for breach of warranty exists.

Other quality Wall Lenk Products: Lenk Brand Consumer Products

Stained Glass Irons
Soldering Irons and Guns
Solder and Accessories
Butane Torches

Wall Industrial Products
Soldering Stations

Miniature Soldering Irons
Soldering Irons and Guns

Wallbrand™ Branding Tools



Quality Crafted in USA by

Wall Lenk Corporation
PO Box 3349 Kinston, N.C. 28501

Printed in U.S.A.

Form 51GI