

RAIL & STILE BIT SET (BEAD)

90124

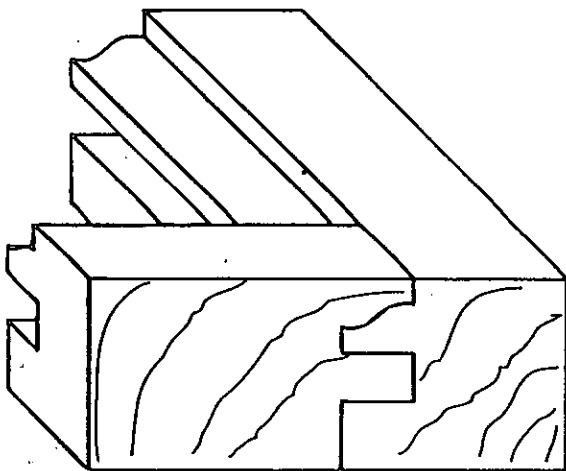
FEATURES:

- for making bead pattern
- 1-5/8" cutting diameter
- 1-1/16" cutting height (length)
- 1/2" shank diameter
- 3-5/16" overall length
- set includes two complete assemblies consisting of cutters, arbors, bearings, washers, shims and nuts
- 2 flute design (carbide tipped edges)
- optimum wood thickness recommended is 3/4"
- minimum wood thickness recommended is 5/8"
- maximum wood thickness recommended is 7/8"
- made by Amana (55440)

APPLICATION:

This tow bit set let you move quickly from cutting rails to cutting stiles without stopping to change arrangement of cutters.

SPECIFICATIONS:



BEAD

