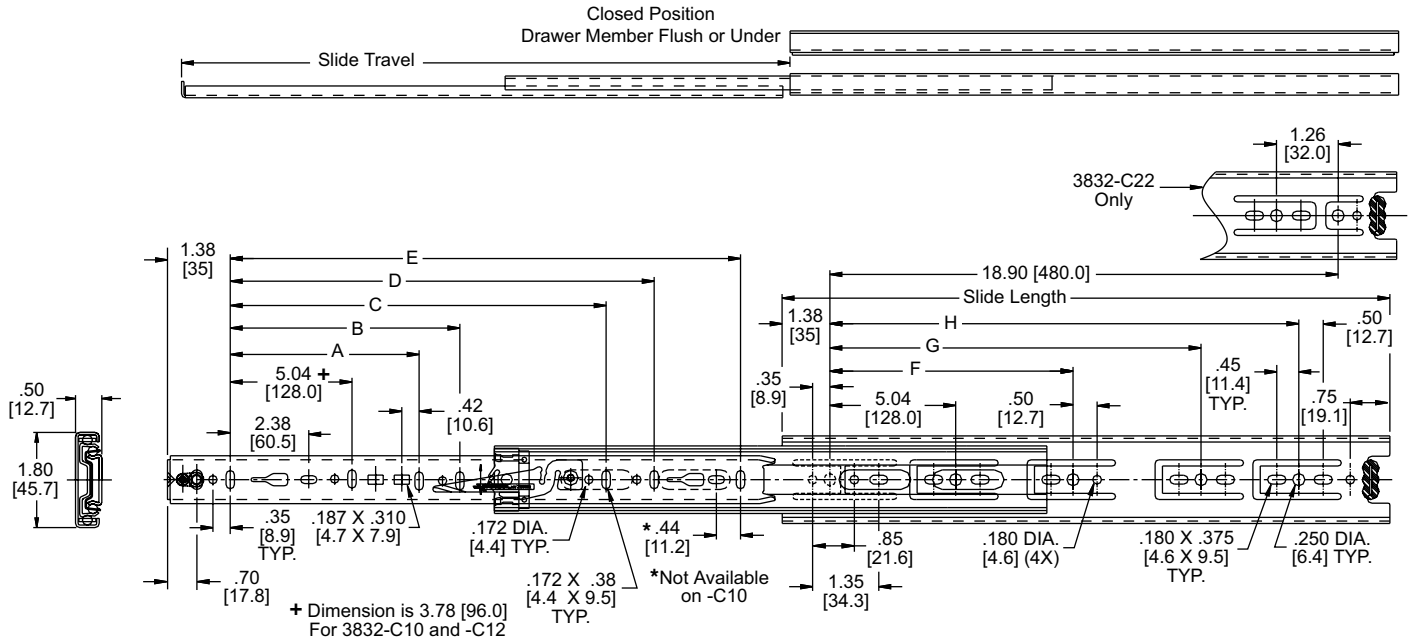




MODEL 3832C, 3834C **cam**
DRAWER
ADJUST

APPLICATIONS: For use in wood pedestals, dresser and desk drawers, casework, residential and kitchen cabinetry. **Not intended for lateral file drawer applications. Use for side mount only. This product is covered by U.S. (5,980,007), (488,712) and various foreign patents issued and/or pending.**

Vertical Drawer Adjustment Cam
32mm System Box Drawer Slide
Up To 100 lb. [45.5] Capacity



Finish 3832C: Bright electro-zinc (C), black zinc (CB), white electrocoating (EW)[•], H-coat (CH) 3832 only[•]

3834C: Bright electro-zinc (C), black zinc (CB),

Length 3832C: 10" - 28" [250mm - 700mm]
3834C: 12" - 28" [300mm - 700mm]

Travel 3832C: Full extension
3834C: 1" Over travel

Height 1.80" [45.7mm]

Load 3832C: 100 lbs. [45.5kg.]
3834C: 90 lbs. [41.0 kg.]

Side Space .50" +0.062 / -0.0
[12.7mm +1.6 / -0.0]

Disconnect Front, handed lever

Mounting Side, optional face frame brackets

Hardware Flat head 6mm Euro System screw or #8 pan head screw, Stainless steel screws for (CH) finish only.

Ball Bearings C & CB finish: Steel
EW finish: Acetal polymer in drawer member
CH finish: Stainless steel

Features Drawer member cam action vertical adjustment, hold-in detent; silenced open and closed; 32mm spacing on cabinet member holes

Optional Weather-Resistant Finish (CH) 3832 only Electro-zinc plating with H-coat overcoat provides 8 times more protection for installations subjected to indirect weather conditions. Also features stainless steel ball retainer and rivets.

| Part Number | Slide Length | Slide Travel 3832 | Slide Travel 3834 | A | B | C | D | E | F | G | H |
|-------------|--------------|-------------------|-------------------|------------|-------------|--------------|-------------|-------------|------------|-------------|-------------|
| 3832-C10 | 9.84 [250] | 9.57 [243] | | | | | | 7.56 [192] | | | |
| 3832-C12 | 11.81 [300] | 12.00 [305] | 13.00 [330] | | | | | 9.52 [242] | 8.82 [224] | | |
| 3832-C14 | 13.78 [350] | 14.00 [356] | 15.00 [381] | | | | | 11.50 [292] | 8.82 [224] | | |
| 3832-C16 | 15.75 [400] | 16.00 [406] | 17.00 [432] | | | | | 13.47 [342] | 8.82 [224] | 12.60 [320] | |
| 3832-C18 | 17.72 [450] | 18.00 [457] | 19.00 [483] | | | 12.60 [320] | | 15.43 [392] | 8.82 [224] | 13.86 [352] | |
| 3832-C20 | 19.69 [500] | 20.00 [508] | 21.00 [533] | | | 12.60 [320] | | 17.40 [442] | 8.82 [224] | 16.38 [416] | |
| 3832-C22 | 21.65 [550] | 22.00 [559] | 23.00 [584] | | | ‡12.60 [320] | 16.38 [416] | 19.37 [492] | 8.82 [224] | 13.86 [352] | 17.64 [448] |
| 3832-C24 | 23.62 [600] | 24.00 [610] | 25.00 [635] | 8.82 [224] | | 16.38 [416] | | 21.34 [542] | 8.82 [224] | 13.86 [352] | 18.90 [480] |
| 3832-C26 | 25.59 [650] | 26.00 [660] | 27.00 [686] | 8.82 [224] | | 16.38 [416] | 21.42 [544] | 23.31 [592] | 8.82 [224] | 13.86 [352] | 21.42 [544] |
| 3832-C28 | 27.56 [700] | 28.00 [711] | 29.00 [737] | 8.82 [224] | 11.34 [288] | 16.38 [416] | 21.42 [544] | 25.28 [642] | 8.82 [224] | 13.86 [352] | 21.42 [544] |

♦ A lateral file drawer is wider than it is deep.

• Minimum order quantities may apply.

‡ Not available on 3834-22.

† Load rating based on 18" slides mounted in a 16" wide drawer cycled 50,000 times.

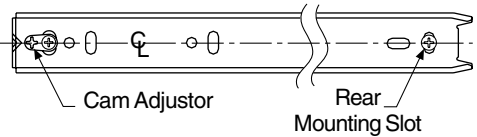
Install Cabinet Member

1. Separate slide members by simultaneously lifting up the left hand disconnect lever and pushing down the right hand lever.
2. Install cabinet (large) member first. For applications with an overlay drawer front, refer to Figure 1 for conventional mounting and Figure 2 for 32mm System mounting. For applications with an inset drawer front, set the slide back the thickness of the drawer front plus 1/8" [3.2mm].

Install Drawer Member

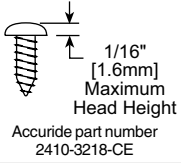
3. Install the drawer member with a screw through the cam adjuster and through a hole or slot at the rear.

NOTE: Cam **must** install on same center line as drawer member.

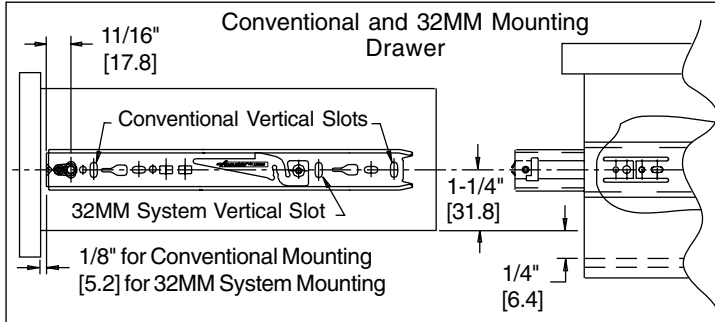
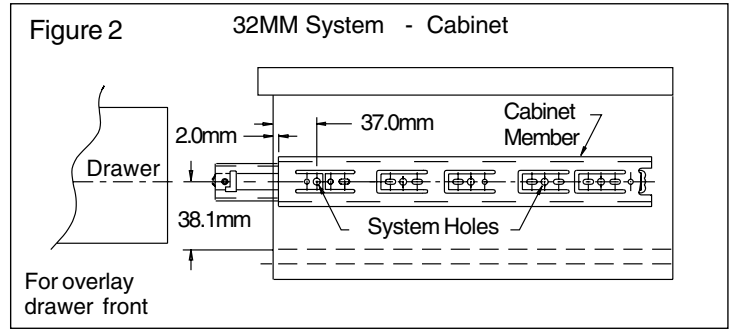
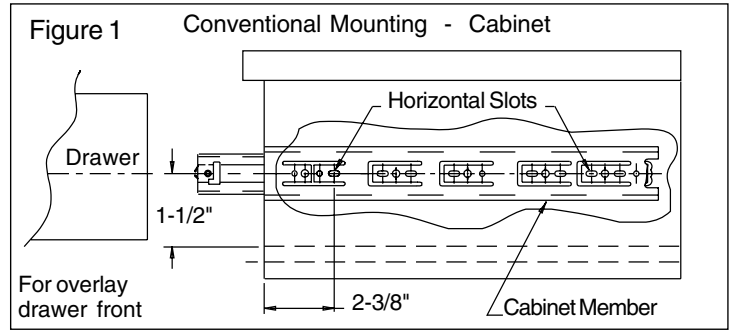


Cam Adjuster Rear Mounting Slot

NOTE: The cam is designed for use with the standard Accuride truss head screw. If using other screw, ensure screw head height does not exceed 1/16" [1.6mm] since it may cause interference.

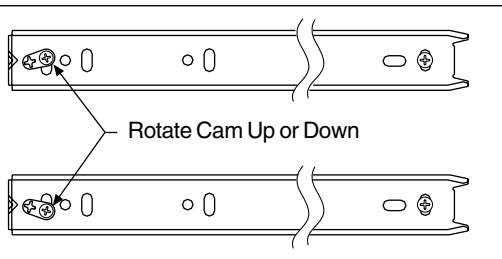


1/16" [1.6mm] Maximum Head Height
Accuride part number 2410-3218-CE



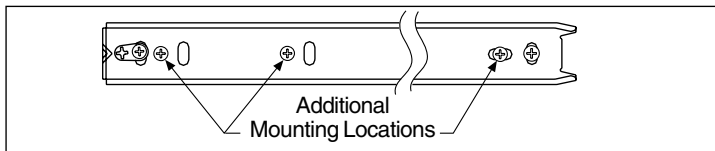
4. Make sure the ball bearing retainers in the cabinet side are fully forward. Install drawer into cabinet. Close the drawer.
5. Open the drawer and rotate the cam with a Phillips or Pozi screwdriver to vertically position the drawer in relation to the cabinet.

NOTE: Total vertical adjustment is 1/8" [3.2mm] ±1/16" [1.6mm] from center, up and down.



Rotate Cam Up or Down

6. Install additional set screws to secure.
- NOTE:** Install drawer pulls or knobs **after** set screws are in place.

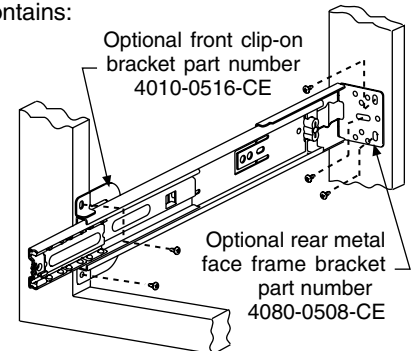


Optional Face Frame Brackets

Face frame brackets are ordered as a **kit** or in **bulk**. Brackets are available in clear zinc finish only. Mounting screws are not included.

To order **kits**, specify part number 4180-0322-XE. Each kit contains: 2 front brackets, 2 rear brackets, and installation instructions. Order 1 kit per pair of slides.

For **bulk**, order 2 front brackets (P/N 4010-0516-CE) and 2 rear brackets (P/N 4080-0508-CE) per pair of slides.



Packaging Options

Models 3832C, 3834C available in D-pack or bulk packaging. Model CH3832 available in D-pack only.

Distributor (D) Pack: All lengths are packaged 10 pair per box. Polybag includes one pair of slides with mounting screws.

Bulk (P) Pack: All lengths are packaged 10 pair per box. Slides and screws are ordered and packaged separately.

Specifications

Slide members and ball retainers: Cold rolled steel
Ball bearings: Carburized steel / acetal polymer
NOTE: Specifications, materials, prices, terms, and delivery are subject to change without notice.

Slide Ordering Instructions

Complete your slide order for Accuride models 3832C or 3834C by specifying the following:

10 Pair C 3832 -C18 D

Total Required Slides _____

Slide Finish _____

Slide Model _____

Slide Length _____

Polybag Packaging _____



ACCURIDE INTERNATIONAL INC.

12311 Shoemaker Avenue
Santa Fe Springs, CA 90670
TEL (562) 903-0200
FAX (562) 903-0208
www accuride.com

Manufacturing, Engineering, and Sales
United States • Germany • Japan • Mexico • United Kingdom