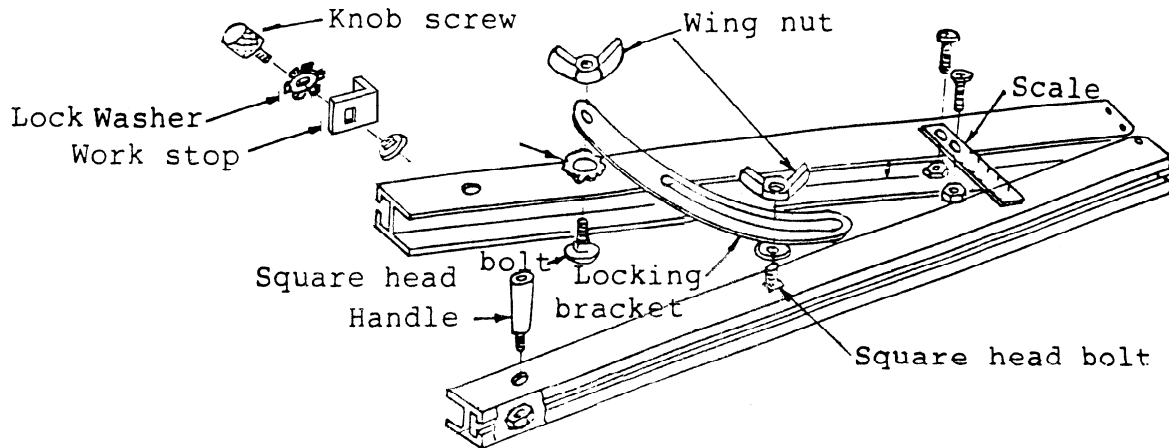


# TAPER JIG

(43471)

## Assembly

Taiwan Patent No: 135718



This taper jig lets you control your workpiece when making taper or angle cuts with any table or radial arm saw. You'll be able to make accurate cuts and sand edges easily. Molding and dado cuts on tapered pieces are also easier to do. It's the perfect accessory for cutting out items like tapered table legs (particularly Hepplewhite legs), tapered waste baskets and magazine racks.

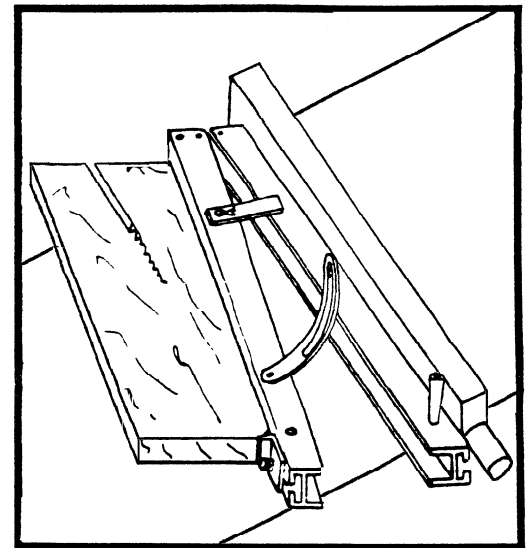
Made of sturdy aluminum, and adjusts to a maximum taper of 15 degrees (3 inches per foot). Easy-to-read scale makes adjustments quick and simple.

This jig is for right or left hand. You can assemble the handle and work stop to either arm, and change as required.

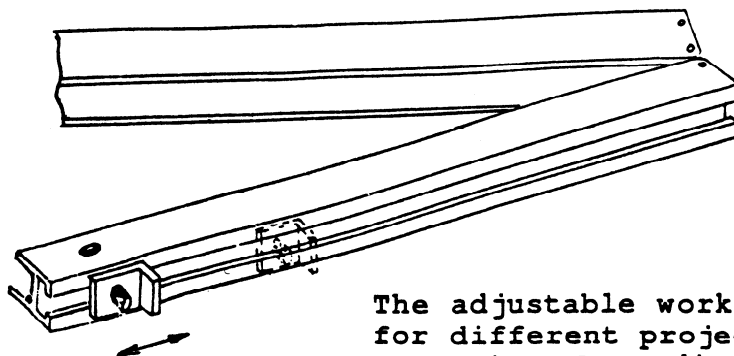
---

**WARNING:** Observe safety rules in this Operating Manual. There is no safety hazard in this taper jig itself, but it is used in conjunction with power tools. Read, understand and observe the safety rules you received with your power tool. When placing or clamping this jig to a power saw, make certain saw is turned off and disconnected.

---



Using your Taper jig with table saws.



The adjustable work stop can be used for different projects with flexible operation. Depending on object's size, the work stop can be adjusted to an appropriate position.