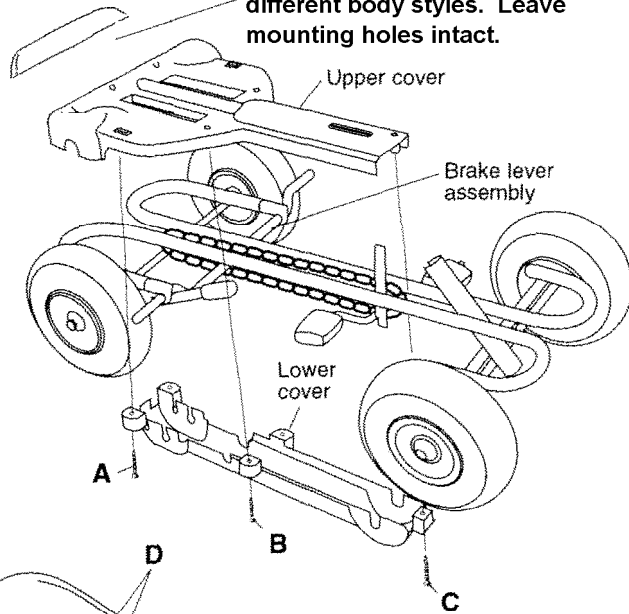


Pedal Car Assembly

Cut off to allow clearance for different body styles. Leave mounting holes intact.

A	4	—	+	—	+	—	+	—	+
B	2	—	+	—	+	—	+	—	+
C	1	—	+	—	+	—	+	—	+
D	2	—	+	—	+	—	+	—	+
E	1	—	+	—	+	—	+	—	+
F	2	—	+	—	+	—	+	—	+
G	1	—	+	—	+	—	+	—	+
H	1	—	+	—	+	—	+	—	+



Instructions

- 1.) Slide brake lever assembly through chain and insert plugs into frame ends.
- 2.) Snap lower cover over axle.
- 3.) Attach upper cover to lower cover with screws (A, B and C).
- 4.) Attach shift lever inner piece. Slide shift handle into place.
- 5.) Slide seat bracket (E) through chain case. Attach seat with bolts (D).
- 6.) Assemble the steering column as show at right.

