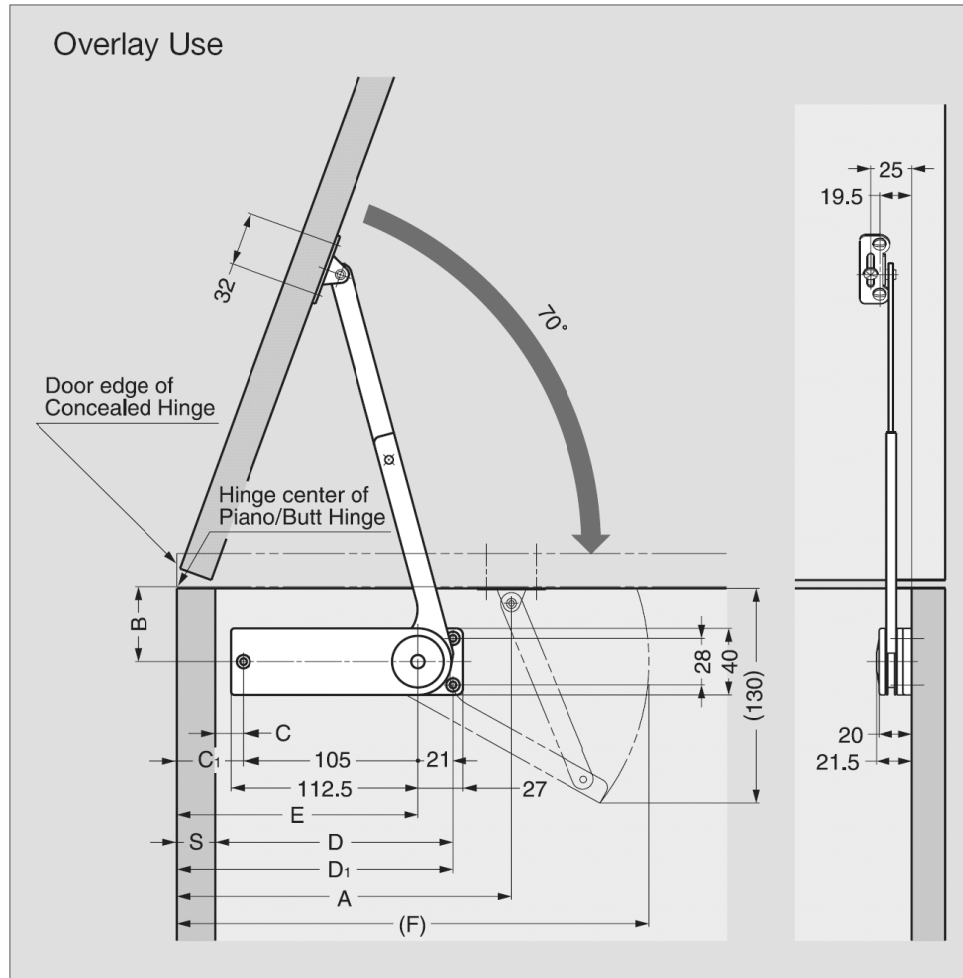


30280 - Left Hand 30290 - Right Hand

Overlay Use

Hinge Type	A	B	C	D	C ₁	D ₁	E	F
Concealed Hinge	199	45	42-S	168-S	-	-	145	283.5
Piano/Butt Hinge	199	45	-	-	41	167	142.5	281

S = Overlay coverage by concealed hinge (mm)



Inset Use

Hinge Type	A	B	C	D	E	F
Concealed Hinge	203	45	46	172	151	286
Piano/Butt Hinge	190	45	33	159	138	273

