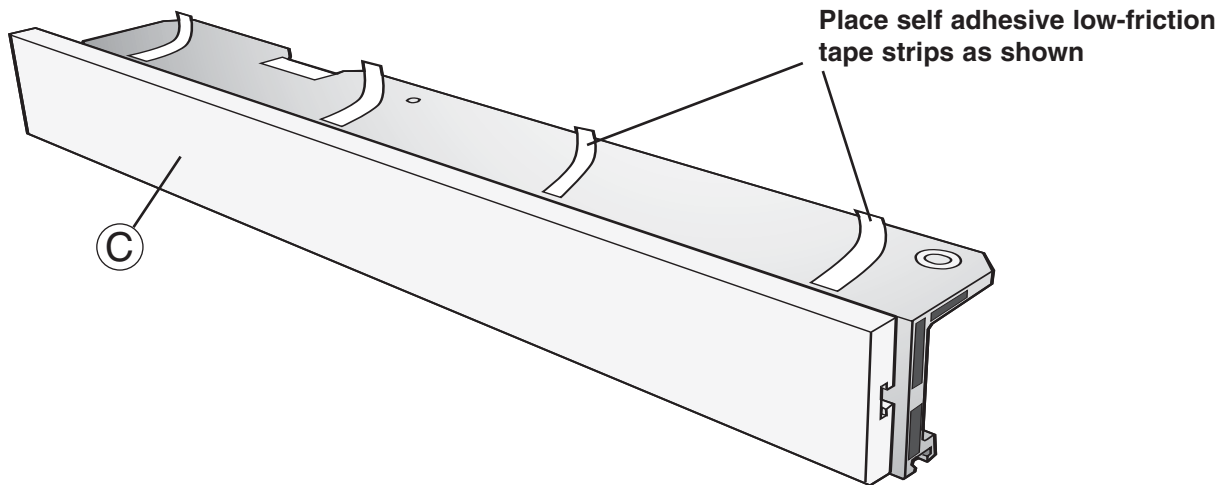
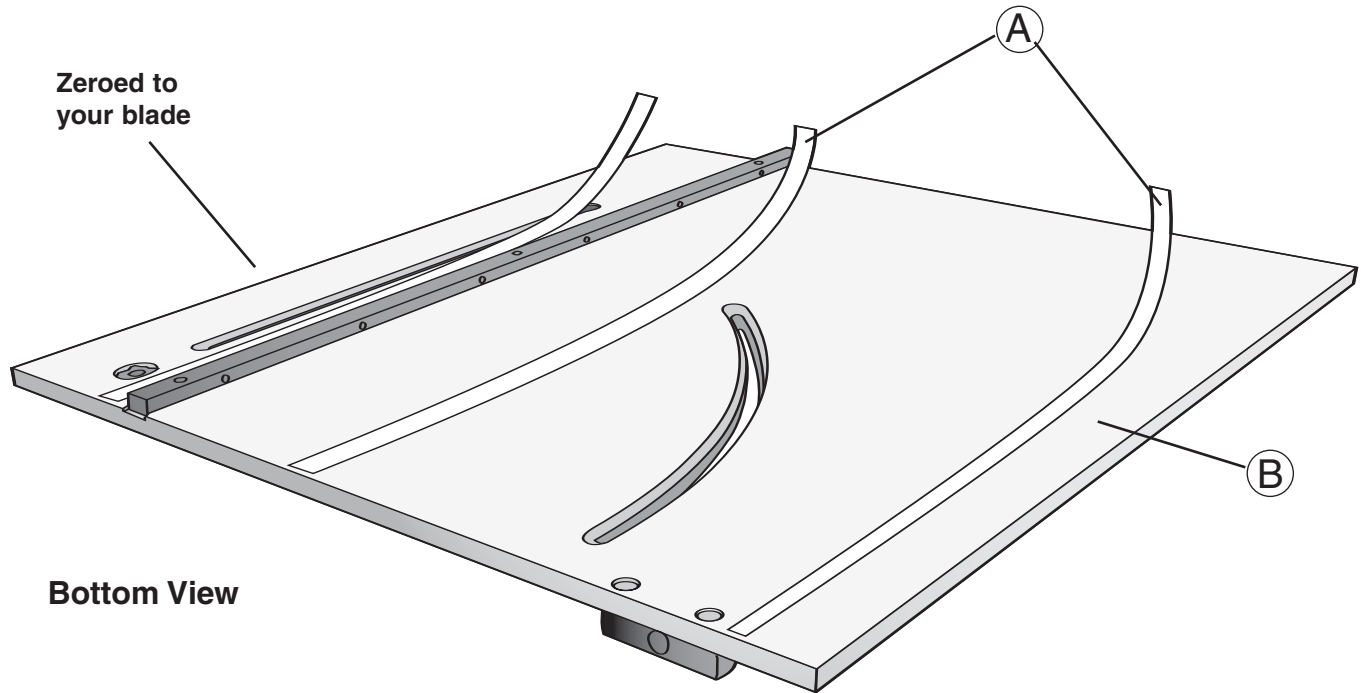


Table Saw Crosscut Sled

Setup Instructions:

1. Make sure your blade is parallel with your miter gauge tracks. If not adjust it according to your manufacturer's guidelines.
2. Lower blade and adjust spring-loaded ball bearings so the miter bar slides freely in the miter track.
3. Cut platform to zero out the blade.
4. Apply self adhesive low-friction tape strips to designated areas on underside of platform and underside of aluminum fence.
5. Use a reliable carpenter's square to square the crosscut fence to the table saw blade and lock fence down.
6. Once the fence is square to the blade, turn the threaded screw in the fence stop so it touches the back of the fence. This will act as the stop every time you bring your fence back to zero.
7. Adjust acrylic indicator so red line is directly over the 0° angle mark.

Self Adhesive Low-friction Strip Application



Packing List

- A4 ea. 2ft. Cut-to-fit Self Adhesive Low-friction Tape strips
- B1 ea. Crosscut Sled
- C1 ea. Crosscut Fence



Create with Confidence™

© Rockler Companies Inc. 2007