

Wall-Mount Dust Collector



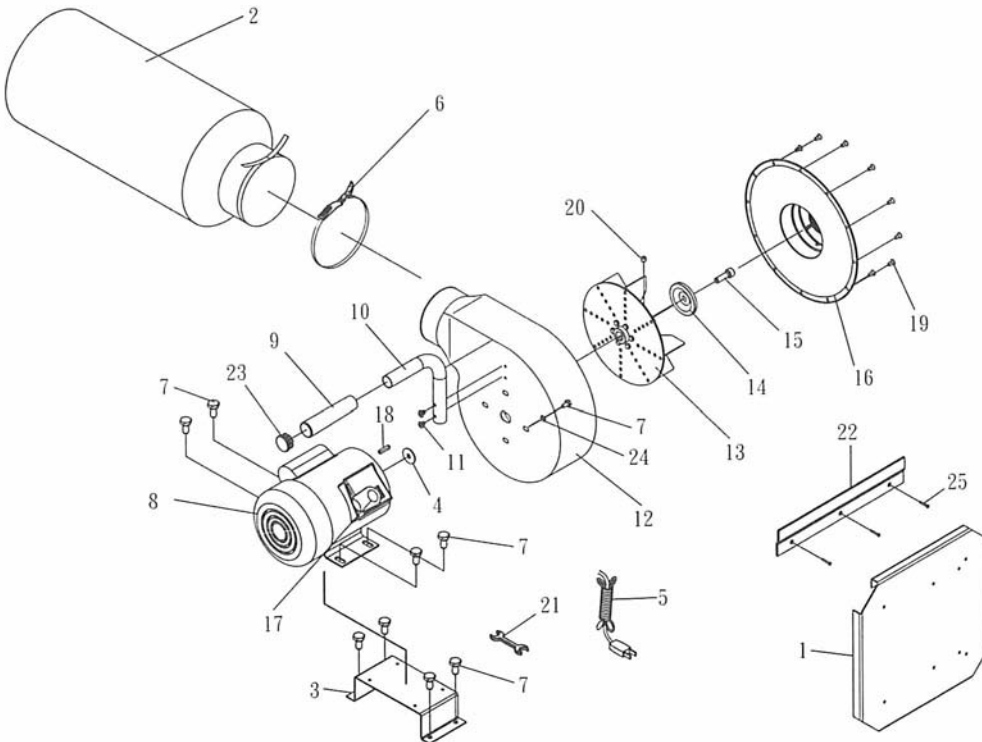
Hang it where you need it with a simple Z-Bracket. Additional brackets are sold separately.

Congratulations on your purchase!

Before assembling your new Rockler Wall-Mount Dust Collector, please read through and understand the instructions and safety precautions outlined on the reverse of this sheet.

This dust collection unit includes a single Z-Bracket for simple and convenient wall-mounting. Additional brackets (Rockler item #21537), as well as a full line of wall-mounting Dust Right™ dust collection accessories, are available at www.rockler.com, through the Rockler catalog, or at Rockler stores nationwide.

Parts List and Diagram



No.	Description	Qty.
1	Base	1
2	Filter Bag	1
3	Motor Bracket	1
4	Motor Packing	1
5	Power Cord	1
6	Bag Clamp	1
7	Hex Bolt 1/4" x 1/2"	12
8	Motor	1
9	Handle Foam 1" x 5"	1
10	Handle	1
11	Pan Head Screw	2
12	Main Housing	1
13	Impeller	1
14	Impeller Washer	1
15	Cap Screw M6 x 20	1
16	Inlet Cover 4"	1
17	Safety Switch	1
18	Key 5 x 5 x 25	1
19	Hex Screw M5 x 9	12
20	Bag Clamp	1
21	Open End Wrench 10 x 12	1
22	Z-Bracket	1
23	Cap 1"	1
24	Washer 1/4" 25	4
25	Phillips Screw 3/16" x 1/4"	3



Important Safety Instructions

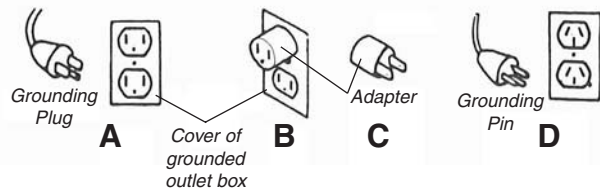
WARNING! To reduce the risk of fire, electric shock or injury:

- Read and understand this owner's manual and all labels on the Dust Collection System before operating. Use only as described in this manual. To avoid personal injury or damage to Dust Collection System, use only recommended accessories. Sparks inside the electrical parts can ignite flammable vapors or dust.
- Always use safety glasses. Everyday eye glasses only have impact resistant lenses. They are not safety glasses. Also use a face or dust mask if conditions are dusty.
- Do not use this Dust Collection System near flammable or combustible liquids, gases, gasoline or other fuels, lighter fluid, cleaners, oil-based paints, natural gas, hydrogen, or explosive dusts like coal dust, magnesium dust, grain dust and gun powder.
- Do not vacuum anything that is burning or smoking such as cigarettes, matches or hot ashes.
- To avoid health hazards from vapors or dusts, do not vacuum toxic materials.
- Do not use outdoors or on wet surfaces.
- Route vacuum hose and electric cord out of traffic areas.
- Do not allow to be used as a toy. Close attention is necessary when used by or near children.
- Do not use without filter/dust bag and/or chip bag in place.
- To avoid injury from accidental starting, unplug power cord before changing or cleaning filter/dust bag or chip bag.
- Do not unplug by pulling on cord. Grasp the plug, not the cord.
- Turn off controls before unplugging.
- Do not leave appliance plugged in. Unplug from outlet when not in use and before servicing.
- Do not use with damaged cord, plug or other parts. If your Dust Collection System is not working as it should, has missing parts, has been dropped, damaged, left outdoors, or dropped into water, return it to Service Center.
- Do not pull or carry by cord, use cord as handle, close a door on cord, or pull cord around sharp edges or corners. Do not run Dust Collection System over cord. Keep cord away from heated surfaces.
- Do not handle plug-in with wet hands.
- Do not put any object into ventilation openings. Do not vacuum with any ventilation openings blocked. Keep free of dust, lint, hair or anything that may reduce air flow.
- Keep hair, loose clothing, fingers and all parts of body away from openings and moving parts.
- Never leave tool running and unattended.
- Extension cords in poor condition or that are too small can pose fire and shock hazards. When using an extension cord, be sure it is in good condition. See "Extension Cords" in the "Operation" section for proper wire sizes.
- Connect to properly grounded outlet only (See "Grounding Instructions" below).

Grounding Instructions

When using your Dust Collection System, follow basic safety precautions as well as the following guidelines:

- In the event of a malfunction or breakdown, grounding provides a path of least resistance for electric current to reduce the risk of electric shock. This tool is equipped with an electric cord having an equipment-grounding conductor and a grounding plug. The plug must be plugged into a matching outlet that is properly installed and grounded in accordance with all local codes and ordinances.
- Do not modify the plug provided if it will not fit the outlet. Have the proper outlet installed by a qualified electrician.
- Improper connection of the equipment grounding conductor (which is green and may have a yellow stripe) can result in a risk of electrical shock. If repair or replacement of the electric cord or plug is necessary, do not connect the equipment-grounding conductor to a live terminal.
- Check with a qualified electrician or service-person if the grounding instructions are not completely understood, or if in doubt as to whether the tool is properly grounded.
- Use only 3-wire extension cords that have 3-prong grounding plugs and 3-pole receptacles that accept the tool's plug.
- Repair or replace damaged or worn cord immediately.



- This tool is intended for use with outlets like the one illustrated in **Figure A**. An adapter like the one illustrated in **Figures B and C** may be used to connect the grounding plug to a 1-pole receptacle as shown in **Figure B** if a properly grounded outlet is not available. The temporary adapter should be used only until a properly grounded outlet can be installed by a qualified electrician. The green-colored rigid ear, lug, etc. extending from the adapter must be connected to a permanent ground like a properly grounded outlet box.

Note: The type of electrical plug and receptacle differs from country to country.

Caution: In Canada only the grounding shown in **Figure A** is acceptable. The extension cords should be CSA certified S.J.T. type or something better.

Caution: In Australia only the grounding shown in **Figure D** is acceptable. The extension cords should be SAA certified.

Limited Warranty

For a period of one (1) year from delivery, Rockler Woodworking and Hardware warrants to the original purchaser that this product purchased is free from defects in material and workmanship and agrees to repair or replace, at its option, any defective product or part of product. This warranty does not apply to products which, after our inspection, are determined to have been damaged due to misuse, abuse, negligence, accidents, repairs or alterations or lack of maintenance.



4365 Willow Drive
Medina, MN 55340

1-800-279-4441