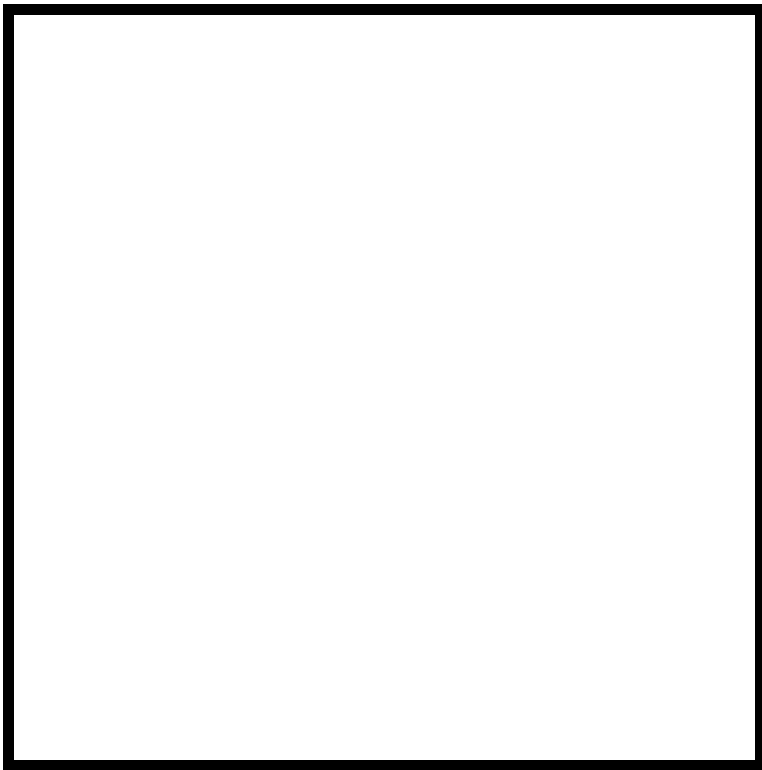


(56501)

Corona Concepts presents

The Willow
All Wood Dollhouse



Instructions and Assembly Guide

RTD10000572AA

Introduction

In Short . . .

Welcome to the exciting world of dollhouses and miniatures. Since the first tab and slot die-cut dollhouse kits arrived on the scene in the mid 1970's, their design and styling concepts have evolved swiftly. However, complexity of construction has always accompanied the great design and styling.

*This kit was designed with
efficiency in mind.*

As pioneers in the early days of the die-cut dollhouse industry, the designers for Corona Concepts have utilized a simpler method for building dollhouses. This kit has been designed with efficiency in mind. It has fewer complicated interlocking parts, while retaining the detail and realism necessary in the miniature industry.

We feel you will find that this kit will be an enjoyable and rewarding project. If you are just beginning to discover the wonderful world of miniatures, we hope that the simplicity of this kit will be a pleasant introduction to the craft. If you are an experienced veteran, we hope you will appreciate the simple, straight forward construction and design.

Before beginning assembly, please read through all of the instructions carefully. There are tips and suggestions to aid you in assembly. By becoming familiar with the steps involved and the contents of the kit, the assembly process will become a rewarding experience and the end product will be one you can be justly proud of.

If you should have any questions or comments during the construction of your Willow Dollhouse, do not hesitate to call us at (800) 253-7150. We are here to answer all of your questions as well as to hear your comments about our product. Feedback from you, the customer, is our only indication of how we're doing our job.

Have fun and thank you for purchasing our product!

Before You Begin

THIS KIT CONTAINS:

**If anything is missing,
contact us at (800) 253-7150!**

- ◆ 11 pre-cut wood sheets
- ◆ One silkscreened plastic window sheet
- ◆ One set of instructions
- ◆ One set of schematic diagrams

ITEMS YOU NEED TO SUPPLY

**Hot melt glue and glue guns
may be found at your local
hardware or craft store!**

- ◆ Lead pencil and eraser
- ◆ Emery board
- ◆ Newspapers or other drop cloth
- ◆ Masking tape
- ◆ Extra sandpaper
- ◆ Ruler or other straight edge
- ◆ Wood filler
- ◆ Stiff bristled brush
- ◆ Glue (We recommend that you use a hot melt glue gun and glue sticks. White glue or household glue **MUST** be used on the plastic windows. You can assemble the house with white or household glue, however items will need to be clamped or otherwise held tight while the glue dries. This slows down overall construction time considerably.)

Tips for Success!

**A well lit work area will
work best!**

1. Save the kit box as a safe "nest " for the wood sheets until all the parts have been removed from them. Also the photos on the outside of the box may be useful as a reference tool.
2. Set your work area up on a large flat surface with all of your supplies at hand. Consider an area that does not have to be "cleared" every day. Your project will take some time and if assemblies can remain in place until the paint or glue dries, it will be to your advantage.
3. Follow the instructions in order! Do NOT jump ahead or reverse the order of assembly.
4. Only remove parts from the pre-cut wood sheets as they are called for in the instructions. If there are parts that for any reason are removed from the sheet but not called for yet, write the sheet number on the cut out and re-file or tape the piece to the rest of that sheet.
5. When removing pieces from the pre-cut sheets, do so with extreme care. Some of these items are very detailed and somewhat fragile.
6. The schematic diagrams are labeled with the sheet number, part's names, part's orientation (i.e., left, right, interior, exterior, etc.), and where the tabs and slots fit (i.e., "front tabs" fit in piece labeled "front"). It is helpful to write in pencil, this information on the pieces before removing them from the sheets. All markings can easily be erased later.

**Visit your local craft & hobby
store for items to decorate
your new house!**

Sanding is easier if you wrap your sandpaper around a block of wood!

Empty cans or containers will help keep things organized.

7. The instructions contain some abbreviations and terms which you will need to become familiar with:
 - ♦ **R&P** - (Remove & Prepare) This means to remove the specified part from the sheet by carefully punching the piece out from the front to the back of the sheet. Prepare the piece by carefully sanding any rough edges and painting, staining, or otherwise decorating as desired.
 - ♦ **(#)** - Numbers in parenthesis, i.e. (8), refers to the sheet number the piece required can be located on.
 - ♦ **(G)** - (Glue) This means that you may go ahead and glue the piece or pieces in place.
 - ♦ **Face Up** - means laying the item down with the smooth side up.
 - ♦ **Face Down** - means laying the item down with the smooth side down.
 - ♦ **Front** - the front of any sheet is that side which is smooth and the die cut lines are clearly visible.
8. Always "dry fit" parts before gluing.
9. Paint or stain all window sashes and casings where plastic window will be glued BEFORE gluing on the plastic.
10. If staining, stain first, let dry, then proceed. If painting, do not paint tabs or inside of slots. Painting these areas will not allow the parts to fit together properly. These areas can be touched up after assembly. Glue also tends to adhere better to wood than to a painted surface.
11. The plastic window sheet is susceptible to scratching. It should be protected from abrasive surfaces at all times.
12. Right and left are as viewed from the front of the house.

Finishing Touches

Finishing your dollhouse is only limited by your imagination. Paint, wallpaper, stain and stucco are only a few of the items you can be creative with.

A foam brush works best for staining!

Wood fill and primer can be very helpful. Use the wood fill to smooth joints between tabs and slots and on corner seams. Primer is recommend to prime the wood with before painting. Parts to be stained should NOT be primed.

Satin finish latex house paint will give a better result than either flat or gloss finish.

Be sure to check your local craft shop for other decorative items such as siding, floor tiles, carpet, electrification kits, furniture, etc.

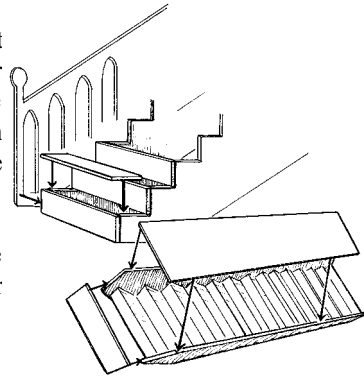
Assembly Instructions

A) ASSEMBLY OF HOUSE STRUCTURE

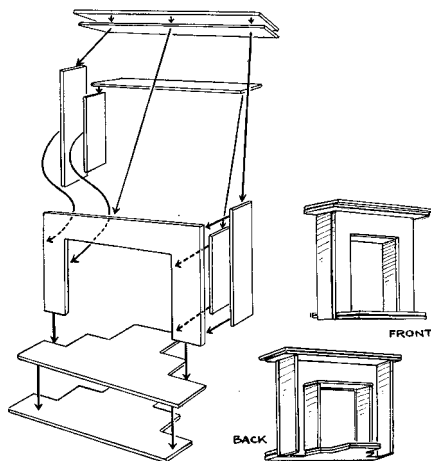
1. R&P first floor (1), first floor foundation (4), front wall (2), second floor (5), third floor (6), first and second floor partitions (7), left wall (8), and right wall (9). The following steps may be easiest to accomplish with front wall of house laying face down on your work area. Using tabs and slots as guides, glue first floor to front wall, and first floor partition to first floor. Do not glue partition to front wall yet.
2. Using tabs and slots, glue second floor to front wall and to top edge of first floor partition. Matching tabs and slots, glue second floor partitions to second floor. Do not glue to the front wall yet.
3. Using tabs and slots as guides for placement, glue third floor to front wall and to top edges of second floor partitions.
4. Glue left and right walls to ends of three floors using tabs and slots as guides for positioning.
5. On rear side if house, glue first floor foundation piece along underside of first floor between left and right walls. All edges should be flush.

B) ASSEMBLY OF STAIRS

1. R&P stair sides (6), staircase back top and bottom (6), 23 staircase riser/tread (3,6,9), and the staircase railing (9).
2. Assemble stairs by beginning with bottom riser. Glue a riser to front bottom edge of stairs, keeping riser edge flush to outside edges of stair sides. Do not glue a tread on top of this yet. Continue gluing all the risers in place keeping edges flush. When all risers have been glued in place, begin at the bottom and glue a tread in place keeping front edge of tread flush with front of riser.
3. Turn staircase over and glue staircase back top and bottom in place keeping edges flush. Glue staircase railing on left side of stair assembly keeping edges flush.
4. Staircase assembly can now be placed in position inside the house structure. The top portion of the railing needs to slide into the large slot in second floor next to staircase opening. You will need to turn the stairs at strange angle in order to achieve this. Be very careful and



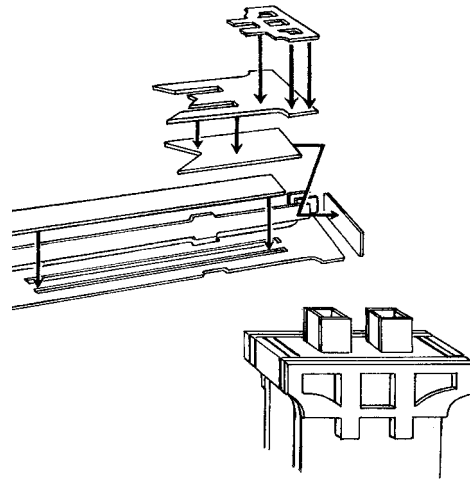
C) ASSEMBLY OF SECOND FLOOR FIREPLACE AND RIGHT SIDE CHIMNEY



1. R&P fireplace front (9), fireplace mantel top and bottom (9), fireplace sides (2), two fireplace hearth floor pieces (9), two fireplace hearth sides (2), and the fireplace hearth top (2).
2. Glue two hearth bottoms together, one on top of the other. Glue fireplace front to the hearth bottom keeping bottom edges flush. Glue hearth sides flush to fireplace opening on back side of assembly. Glue hearth top over top edges of hearth sides. Glue fireplace sides to back side of fireplace front keeping bottom edges flush. Glue mantel top to mantel bottom and glue this assembly to top edge of fireplace front keeping back edges flush. Set this entire assembly aside, do not glue into house yet.
3. R&P right side chimney front (5), two chimney sides (1), chimney front inside (5), chimney back (1), chimney back

inside (5), chimney top (4), four chimney top sides (4), two chimney trims (5), four chimney flute fronts (10), and four chimney flute sides (10).

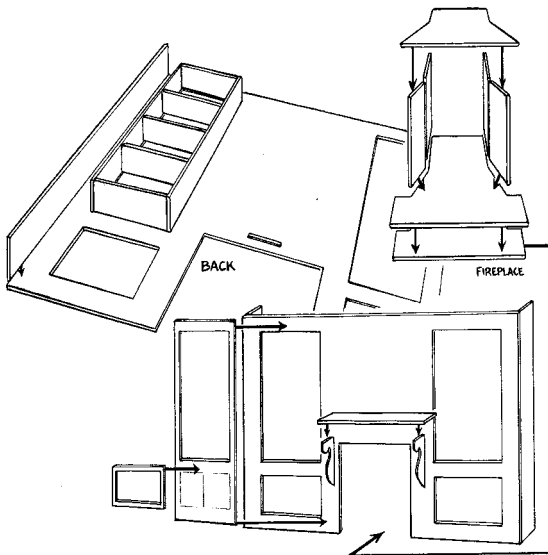
4. Using tabs and slots as guides, glue the chimney sides to the chimney front. Position the chimney front inside piece on the inside of the chimney covering the two long "slots". Position and glue the chimney back inside piece to the chimney back in the same manner. Glue the chimney top to the chimney front assembly keeping it flush with the top edge of front. Sandwich two chimney sides together by gluing and glue to each side of chimney. Glue chimney back to front keeping to edges flush. Position chimney trims on front and back keeping top edges flush - glue.



5. Glue two chimney flute sides to two flute fronts, (making a little box). Repeat for second flute. Position flutes on chimney top and glue in place. Set entire chimney assembly aside, do not glue onto house yet.

D) ASSEMBLY OF FIRST FLOOR FIREPLACE/BOOKCASE WALL UNIT AND LEFT SIDE CHIMNEY

1. R&P wall unit front (3), four bookcase sides (3), two wall unit sides (3), ten bookcase shelves (3), two bookcase trims (3), two bookcase door trims (3), four bookcase doors (3), (these can either be punched out and hinged, or left in place), fireplace mantel top (3), fireplace mantel bottom (3), two mantel supports(8)two fireplace hearth floor pieces(3),four fireplace hearth sides(9),and the fireplace hearth top.



2. Lay wall unit front face down. Glue wall unit sides on to front keeping it flush to edge of front. Using two bookcase sides and two bookcase shelves, create a "box". Keep the shelves flush with top and bottom edges of sides -glue. Position three shelves however you choose inside this "box" and glue in place. Position this entire assembly over the bookcase opening on wall unit. Top and bottom edges should be flush - glue. Repeat for second bookcase. Turn wall unit over, glue bookcase trims in place and then glue on bookcase doors and door trims.

3. Glue fireplace mantel top to fireplace mantel bottom. Position over fireplace opening using tab and slot, glue in place. Position and glue mantel supports under mantel on each end.

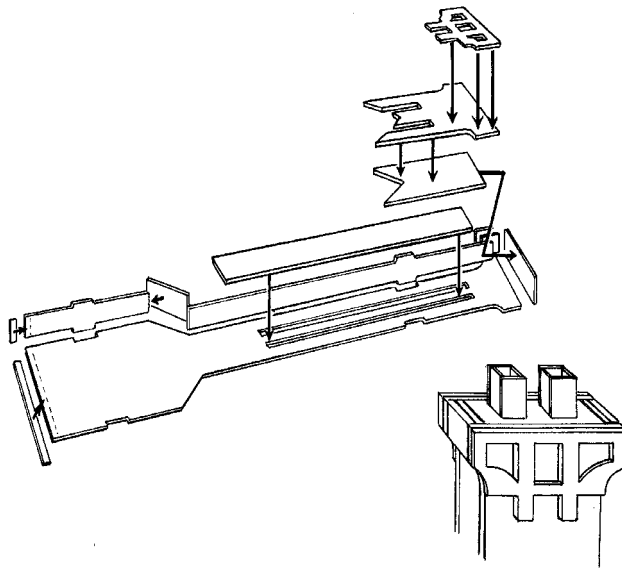
4. Glue the two hearth floor pieces together on top of the other. With the hearth floor laying face up, glue the four hearth sides on TOP of the floor, keeping outside edges flush, then glue the hearth top over the sides, again keeping outside edges flush. Be sure to dry fit these pieces before gluing to be sure you have them positioned properly. Once properly positioned, glue together. This assembly now needs to be glued to fireplace opening in the wall unit front

5. Dry fit this entire wall unit assembly into house. Once proper fit is achieved, glue in place.

6. R&P left side chimney front (4), six chimney sides (4), chimney front inside (5), chimney back (5),

chimney back inside (5), chimney top (4), four chimney top sides (4), two chimney trims (5), four chimney flute fronts (10), and four chimney flute sides (10).

7. Using tabs and slots as guides, glue the chimney sides to the chimney front. The small angled side piece is wider than the other side pieces. Glue them with back edges flush, the front and bottom edges will hang over a little. Position the chimney front inside piece on the inside of the chimney covering the two long "slots". Position and glue the chimney back inside piece to the chimney back in the same manner. Glue the chimney top to the chimney front assembly keeping it flush with the top edge of front. Sandwich two chimney sides together by gluing and glue to each side of chimney. Glue chimney back to front keeping to edges flush. Position chimney trims on front and back keeping top edges flush - glue.



8. Glue two chimney flute sides to two flute fronts, (making a little box). Repeat for second flute. Position flutes on chimney top and glue in place. Set entire chimney assembly aside, do not glue onto house yet.

E) ASSEMBLY OF INTERIOR WINDOWS, INTERIOR DOOR TRIM, AND STAIRWAY TRIM

1. R&P twenty two double hung window sashes (3,5,7) and eight arched window casings (8,9). Remove window from plastic sheet by carefully cutting along the dotted lines. Glue plastic windows to back side of each window sash. Only four of the arched window casings will get plastic glued to them, these are the exterior casings. The four arched windows without plastic will be used as interior casings.

2. R&P eleven window sills (10), eleven interior window casings (10). Position and glue one window sash over the bottom opening of each window on the inside of the house. Position and glue one window casing around each window sash so that bottom edges are flush. Position and glue one window sill centered along bottom edge of each window sash. Position and glue four arched interior window casings - these will have no plastic! The arched windows do not get window sills.

3. R&P four second floor interior door trims (1). Position and glue around second floor doorways.

4. R&P two first floor interior door trims (5) - one of these is "L" shaped. R&P three pieces of interior front door trim (1). Position and glue the three front door trims on interior of front door. Position and glue "L" shaped door trim around stair side of interior door and remaining trim on opposite side of interior door.

5. R&P two second floor stairway railings (6) and three stairway hand rails. Position and glue the two railings along edge of opening for stairway on second floor. Position and glue a hand railing centered over each of these railings. Position longest hand rail centered along entire stairway railing, notched edge to the top of the staircase.

F) ASSEMBLY OF EXTERIOR WINDOW CASINGS, FRONT STEPS, FRONT DOOR CASING, AND HOUSE TRIM

1. R&P eleven exterior window casings (11), eleven window casing bottoms (10). Position and glue

one window sash over the top opening of each window on the exterior of the house. Position and glue one window casing over and around each sash. Position and glue one casing flush with bottom edge of casing legs.

2. R&P twenty two shutter supports (10). Center a shutter support along each side of every window casing leg and glue.

3. Position and glue the four arched window casings that have plastic glued to them.

4. R&P house bottom trim (1,4,5,8). Position all house bottom trims before gluing in place. There is bottom trim for each side if both chimneys as well as along entire house. When pieces are positioned properly, glue in place. Note: there will be a space in the front with no bottom trim where front steps will be placed.

5. R&P large front step tread (9), small front step tread (9), large and small risers (9), and four step sides (9). Position and glue large riser under front edge of large step tread. Position and glue large step sides flush with ends of riser. Repeat this process for small step, then glue small step on top of large step, centered with back edges flush. Glue this entire assembly centered under front door opening.

6. R&P front door casing pieces A,B,C,D,E,F. A(2), B(7), C,D,E,F(9), front door casing support (3). Position piece A centered over back edge of piece B and glue. Center pieces E & F over C & D and glue. Position these "stick" assemblies approximately 1/4" from the edges of piece B on underside and glue. Position and glue casing support to back of piece "A". Place this entire assembly resting on top front step and centered with door opening - glue.

7. R&P six house corner trims (2). Position and glue trims on each corner of house.

G) SIDING

It is at this point that you would begin to side your house if you so choose. Before you begin you will need to "spot" glue your chimney assemblies on. Do not glue them permanently as you will need to "pop" them off in order to put the roof on.

TOOLS REQUIRED FOR SIDING

Sharp Model Knife or Anvil type Pruning Shears
Hot melt glue gun and glue (white glue tends to warp siding)
Pencil and ruler

1. Carefully measure and draw parallel guidelines on the house sides beginning at the bottom edge of the house sides. Guidelines should be spaced apart approximately one half the width of one strip of siding.

2. Guidelines should meet evenly at all corner intersections and should meet evenly on either sides of window and door openings.

3. Begin applying the top edge of the siding along the guidelines using hot melt glue. Start at bottom edge of the house side and continue upwards to top edge of sides. If a wall is wider than 12", you will need to "butt" ends of the siding together. As you proceed up the wall, stagger the "buted" joints. We recommend all pieces for sections around window and door openings be fitted before gluing in place.

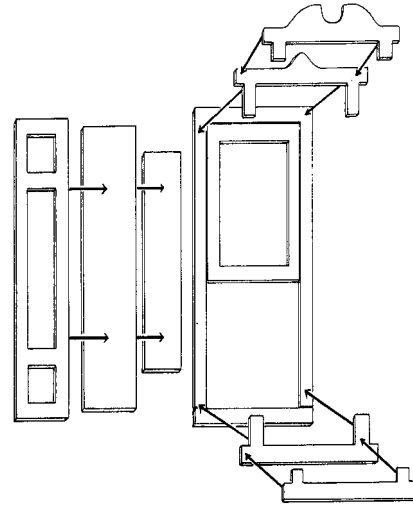
4. **OPTIONAL:** Apply wood stain or paint of your choice. Apply stain with foam brush using caution not to soak the siding too heavily as the stain may cause the glue to loosen. If this should happen, just allow the glue to re-harden on its own.

H) ASSEMBLY OF EXTERIOR WINDOW TRIM AND SHUTTERS

1. R&P eleven window top trims (1) and eleven top trim backers (7). Position and glue a top trim backer centered on the top edge of each window casing - top corner edges flush. Position and glue a top trim on each backer centered with top corner edges flush.

2. R&P eleven window bottom trims (3,6) and eleven window bottom trim backers (8). Position and glue a bottom trim backer centered over bottom of each window casing bottom - bottom edges flush. Position and glue a bottom trim on each backer centered with bottom edges flush.

3. R&P twenty two shutter fronts (11) and twenty two shutter backs (11). Position and glue a shutter front centered over each shutter back. All edges should be flush. Glue a shutter assembly to each side of every window.



I) ASSEMBLY OF ROOF, ROOF TRIM, THIRD FLOOR PARTITION, CHIMNEYS, AND SECOND FLOOR FIREPLACE

1. Before you can begin to put the roof on, you need to carefully “pop” off both chimney assemblies.

2. R&P front roof (4), back roof (3), eight pieces of gable trim (2).

3. Using tabs and slots, position and glue front roof then back roof.

4. R&P third floor partition. Position and glue third floor partition wherever you would like it.

5. Position and glue both chimney assemblies permanently in place.

6. Position and glue gable trims in place. The four smaller pieces should be placed directly over the larger pieces along the bottom edge.

7. Position and glue second floor fireplace permanently in place.

8. R&P three foundation pieces (4). One piece is longer than the other two. CAREFULLY lay your house on its back. Position the longer foundation piece vertically in the center of the house and glue. Position the shorter two pieces horizontally in the center of the two halves and glue.

J) ASSEMBLY OF FRONT DOOR TRIM

1. R&P front door (1), front door backer (2), and two front door gingerbread (3). Remove front door plastic from plastic window sheets by carefully cutting along dotted lines. Glue plastic to wrong side of front door backer. Glue backer to front door centered with edges flush. Glue gingerbread trims centered in area under window near bottom of door.

2. R&P three pieces of front door trim (2,5). Position and glue these three pieces on edges surrounding front door opening.

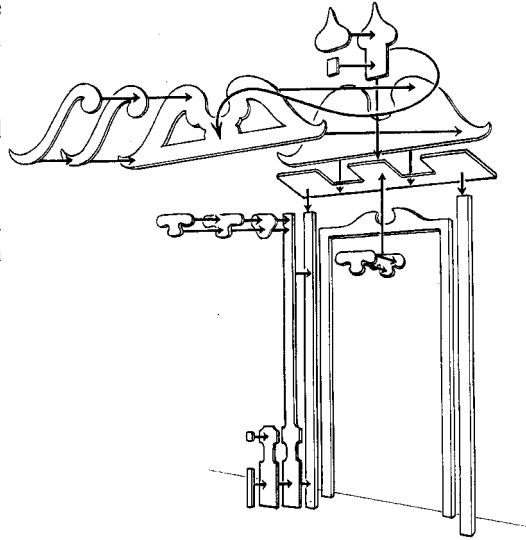
3. R&P front door casing trim (5). Position and glue on trim over top of casing with same shape.

4. R&P door top trim (2) and four “S” trims (2). Position and glue top trim over top of casing piece

with same shape. Glue two “S” pieces on top of the other and then glue these assemblies over top trim with same shape.

5. R&P bottom gingerbread trims (2). Position and glue these pieces vertically in center of casing trim.

6. R&P top trim gingerbread (2,5). Using diagram as a guide, position and glue all front door trim pieces in place.



Shingles, Shingles, Shingles . . .

TOOLS REQUIRED

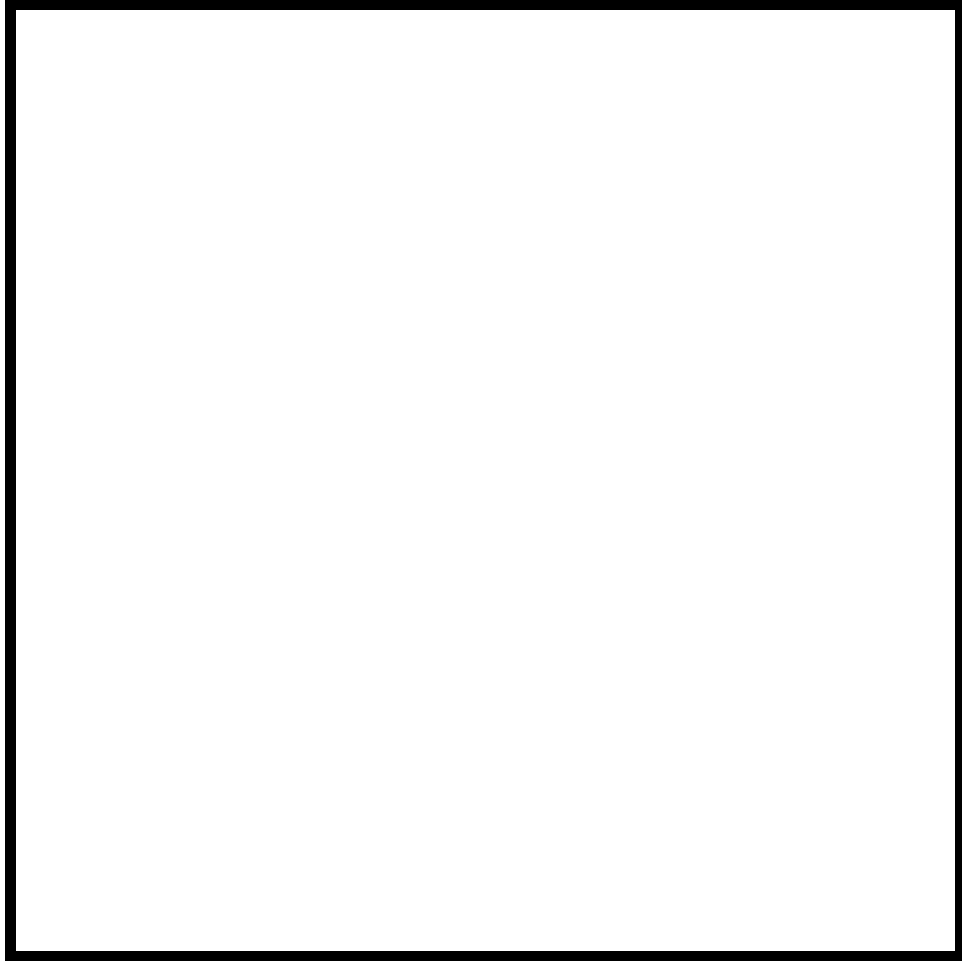
- Sharp Utility Knife
- Hot melt glue gun and glue
- Pencil and ruler or other straight edge

OPTIONAL

- 1" Foam Brush
- Wood Stain

GENERAL INSTRUCTIONS

1. Carefully measure and draw parallel guidelines on the roof panels beginning at the bottom edge of the roof. Guidelines should be spaced apart no less than one half the length of one shingle.
2. Guidelines **MUST** meet evenly at all gable intersections.
3. Begin applying the top edge of the shingles along the guidelines using hot melt glue. Start at bottom edge of roof and continue upwards to top edge of roof. Shingles at each end of the row will need to be cut to size. Be sure to cut and fit each shingle at the gable intersection before gluing in place. Also keep in mind that as you continue upwards, each row should be staggered by half the width of one shingle.
4. The last row of shingles at the top edge of the roof will need to be trimmed in length. They should be cut to approximately half the length of one shingle and applied, giving the roof a finished appearance.
5. **OPTIONAL:** Apply wood stain with foam brush using caution not to soak the shingles too heavily as the stain may cause the glue to loosen. If this should happen, just allow the glue to re-harden on its own. (NOTE: You may want to consider staining a few extra shingles in case any are ever damaged.)



**© 1995 Corona Concepts
Cooperstown, NY 13326
All rights reserved
These instructions were
printed in New York State**
