

## 5PD SERIES

## PREMIERE PULL-DOWN SHELVING SYSTEM

Tired of dragging the dining room chair into the kitchen to reach everything in your wall cabinet? Introducing Rev-A-Shelf's magnificent Pull-Down Shelving System. The 5PD Series is a chrome-plated two-tier pull-down shelf that brings hard-to-reach items down 10" while pulling out 14¾" from the cabinet. This functional pull-out features a unique gas assisted lifting/lowering mechanism that provides unparalleled stability through the entire range of motion. The Pull-Down Shelving System includes both side and bottom mount brackets and is available for Wall 24" and 36" cabinets. **(34046, 34721)**

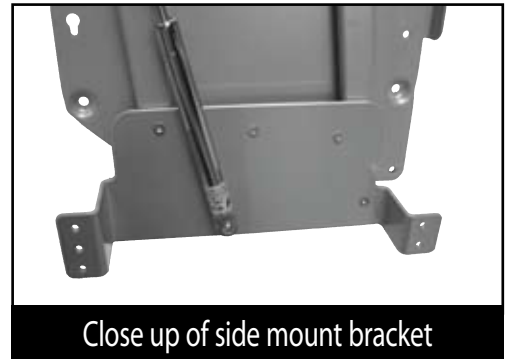


WALL  
ACCESSORIES

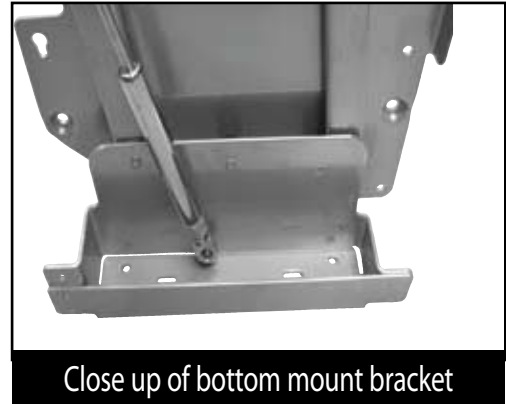
**Premiere**  
Cabinet Accessories



42" Wall Cabinet utilizing (2) 5PD-36CR

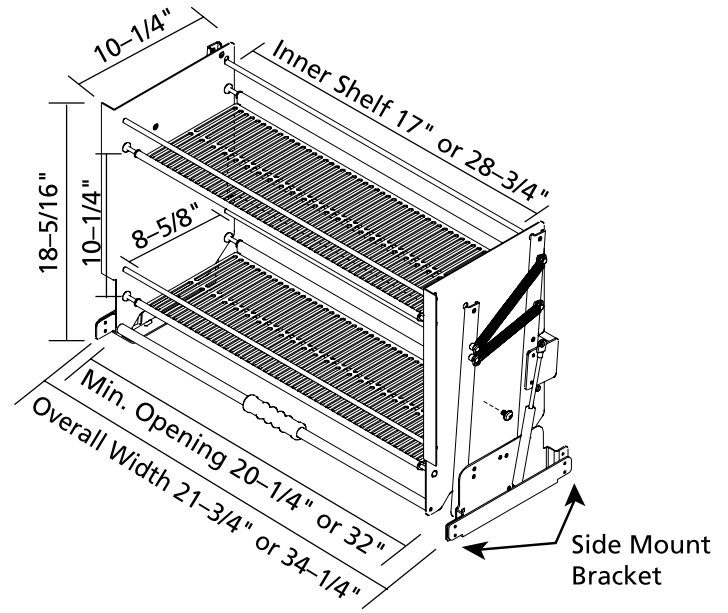
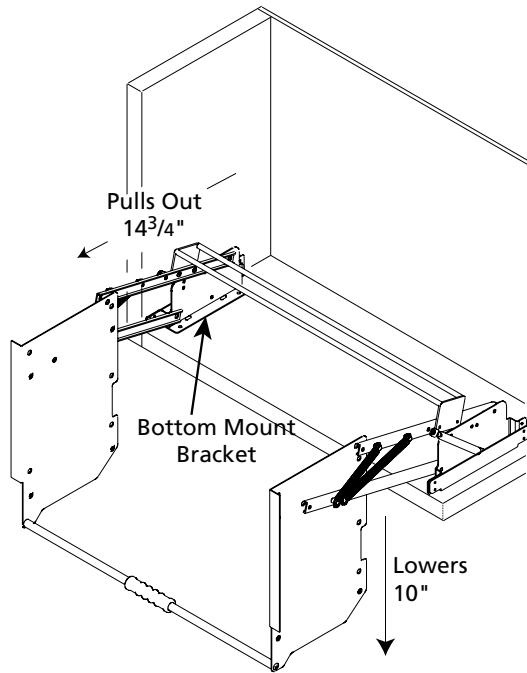


Close up of side mount bracket



Close up of bottom mount bracket

Minimum Inside Cabinet Width  
 Bottom Mount 22<sup>3</sup>/<sub>8</sub>" or 34<sup>1</sup>/<sub>4</sub>"  
 Side Mount 22<sup>3</sup>/<sub>16</sub>" or 34"



**WALL ACCESSORIES**  
**Premiere Cabinet Accessories**

PRODUCT #s	DESCRIPTION	PRODUCT DIMENSIONS	FINISH	SET PER CARTON	WEIGHT PER CARTON	SUGGESTED LIST PRICE
<b>Pull Down Shelving System</b>						<b>Individual Pack</b>
5PD-24CR	Pull-Down Shelving System	Min. Opening 20 <sup>1</sup> / <sub>4</sub> " (515 mm)W x 10 <sup>1</sup> / <sub>2</sub> " (268 mm)D x 18 <sup>5</sup> / <sub>16</sub> " (465 mm)H	Metal/Chrome	1	23 lbs.	\$291.75
5PD-36CR	Pull-Down Shelving System	Min. Opening 32" (813 mm)W x 10 <sup>1</sup> / <sub>2</sub> " (268 mm)D x 18 <sup>5</sup> / <sub>16</sub> " (465 mm)H	Metal/Chrome	1	27 lbs.	\$304.20

**CONTAINS:**  
 (1) shelving unit, mounting brackets, screws and instructions