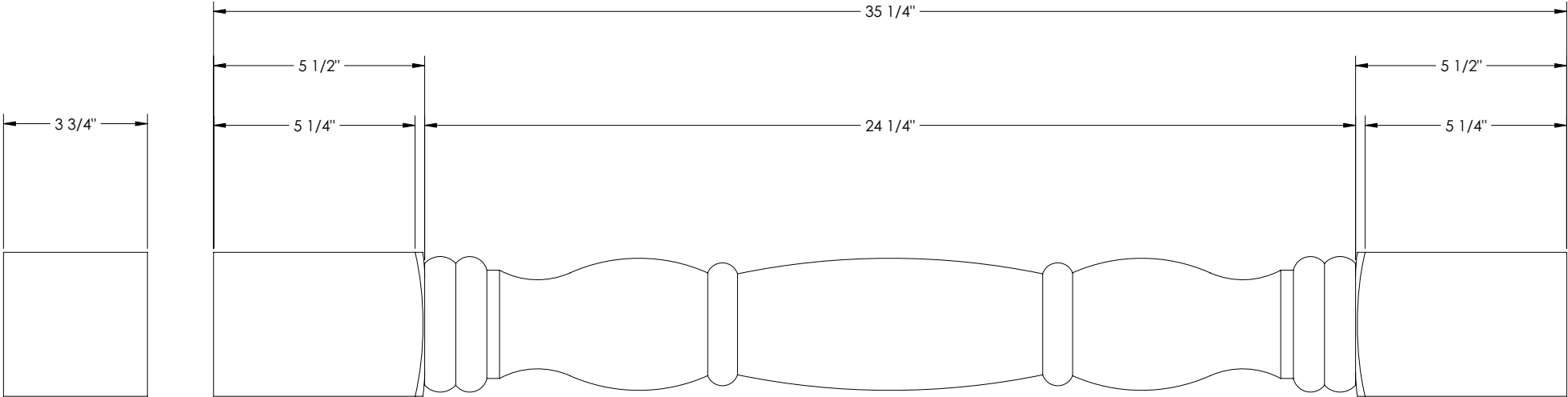


(59201, 59209, 59217)



<p>SIZE: 3 3/4" x 35 1/4"</p>	<p>DIM AND TOL APPLY AFTER FINISH UNLESS OTHERWISE SPECIFIED:</p>	<p>COLUMN</p>
<p>AVAILABLE SPECIES: Hard Maple (HM) Cherry (CH) Oak (AK) Alder (AL) Poplar (PT) Pine (PN) MD Primed (MD)</p>	<p>DIMENSIONS ARE IN INCHES FRACTIONS: N/A DECIMALS: XX ±.01 XXX ±.015 ANGLES: N/A</p>	<p>ENGLISH COUNTRY DBL. SQ. - ISLAND</p>
<p>PROPRIETARY AND CONFIDENTIAL THESE DRAWINGS AND SPECIFICATIONS ARE THE PROPERTY OF BROWN WOOD PRODUCTS CO AND ARE ISSUED IN STRICT CONFIDENCE AND SHALL NOT BE REPRODUCED OR COPIED OR USED AS THE BASIS FOR THE MNAUFACTURE OR SALE OF APPARATUS WITHOUT PRIOR WRITTEN PERMISSION.</p>		<p>SIZE DWG. NO. C 030210 DATE: SCALE: 1:2</p>