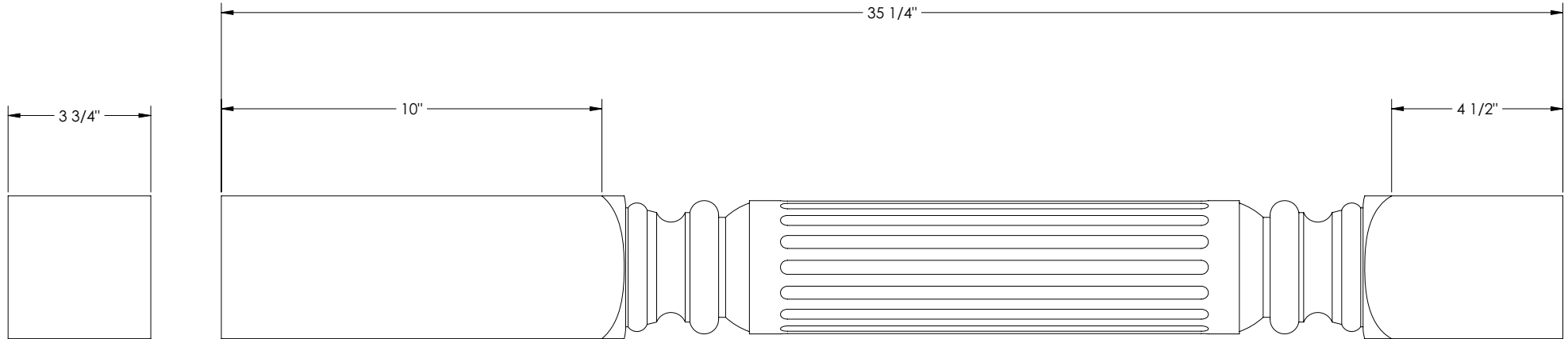


(43515, 43524)



SIZE: 3 3/4" x 35 1/4"	DIM AND TOL APPLY AFTER FINISH UNLESS OTHERWISE SPECIFIED:	COLUMN
AVAILABLE SPECIES: Hard Maple (HM) Soft Maple (SM) Cherry (CH) Oak (AK) Alder (AL) Hickory (HK) Pine (PN) MD Primed (MD)	DIMENSIONS ARE IN INCHES FRACTIONS: N/A DECIMALS: XX ±.01 XXX ±.015 ANGLES: N/A	GRECO ROMAN ISLAND - FLUTED CLASSIC
PROPRIETARY AND CONFIDENTIAL THESE DRAWINGS AND SPECIFICATIONS ARE THE PROPERTY OF BROWN WOOD PRODUCTS CO AND ARE ISSUED IN STRICT CONFIDENCE AND SHALL NOT BE REPRODUCED OR COPIED OR USED AS THE BASIS FOR THE MNAUFACTURE OR SALE OF APPARATUS WITHOUT PRIOR WRITTEN PERMISSION.		SIZE C DWG. NO. 080240
DATE:		SCALE: 1:2