

Leather Handle

Installation

1. Position handle for balance.
2. Mark hole location. (Fig. 1)
3. Drill four $\frac{3}{16}$ " holes. Countersink on inside of box if needed for thicker stock.
4. Install handle. If longer screws are needed in your project, use 8-32 in the appropriate length. (Fig. 2)

Fig. 1

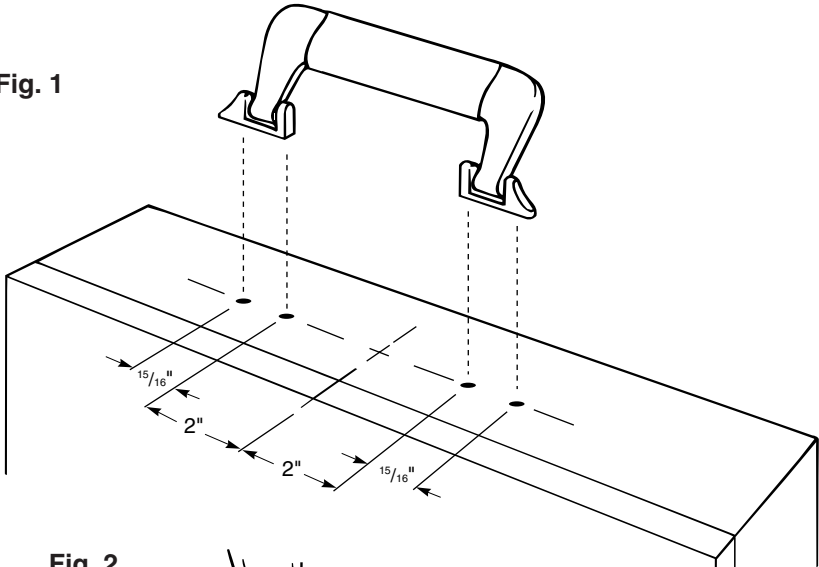
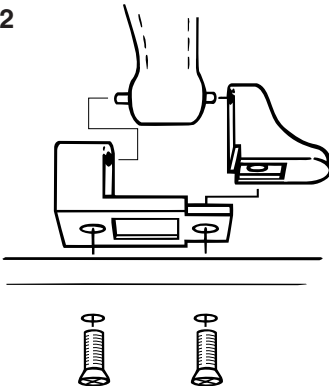


Fig. 2



35121
35147

REV. 2/09

 **ROCKLER**[®]
WOODWORKING AND HARDWARE

Create with Confidence™
© 2009 Rockler Companies Inc.

300681
RTD10300681AB