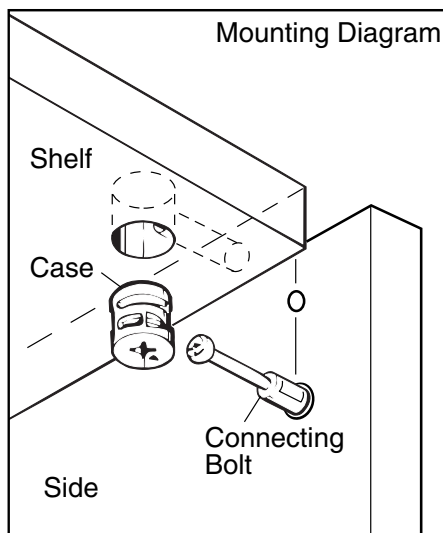
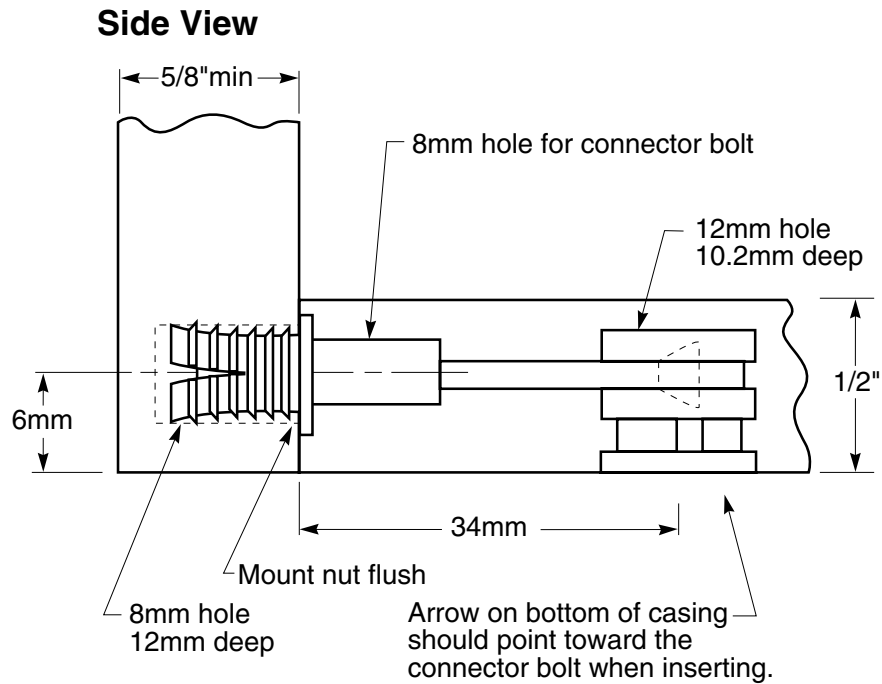


1/2" Minifix Fastener

Note: Use a brad point drill bit for the 8mm holes and a Forstner bit for the 12mm hole.



22179

REV. 9/06



Create with Confidence™

© Rockler Companies Inc. 1993,2000

306662

RTD10306662AA