

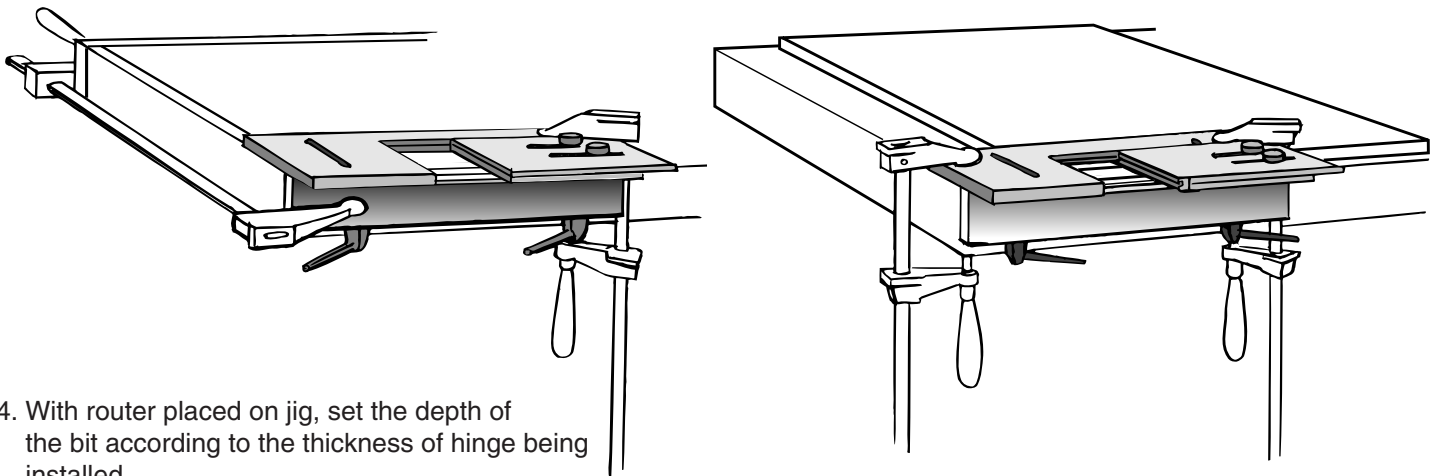
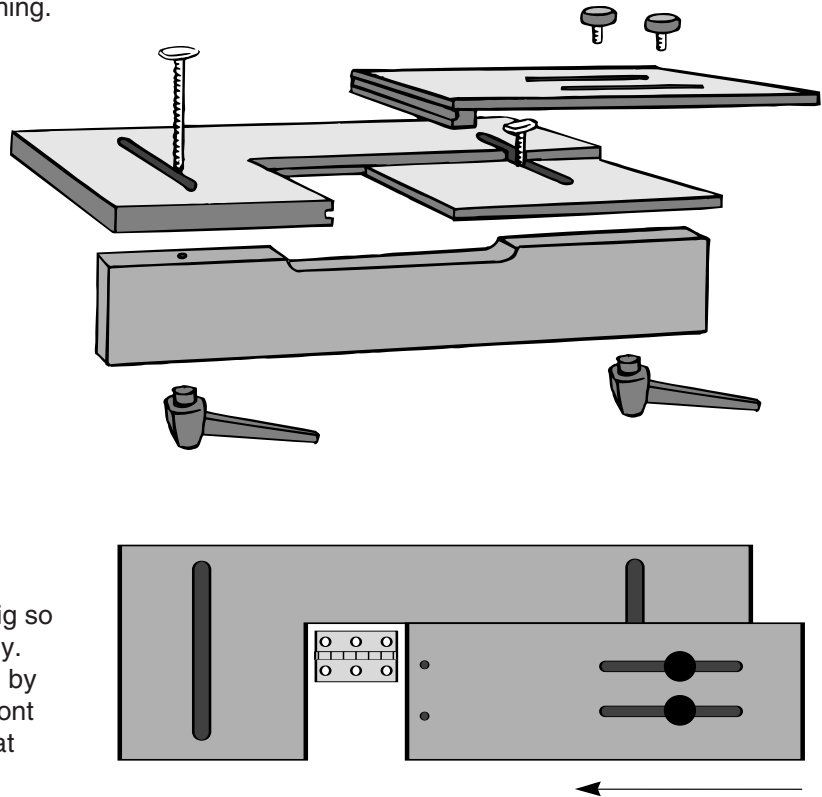
# JIG-IT Mortising System

## ASSEMBLY

Assemble as shown, making sure that the notch in fence is positioned to match jig hinge area opening.

## USE

1. Position hinge (or optional hinge template sold separately) in opening of jig and move slide bar into place to set jig for length of hinge. Tighten knobs to hold slide bar in place.
2. This jig allows for the flexibility of positioning the knuckle of the hinge wherever you wish. It is common to center the knuckle on the joint, or you may wish to make it flush, or fully exposed. To set the jig for the width, begin by marking the hinge on the project where you intend to place it. Place the jig onto the project and use your mark as a guide to set fence into place. Tighten down fence. It is important that fence is square to jig so that the hinge will mount and operate properly. Squareness of fence can be double-checked by measuring at both ends of the fence to the front edge of the jig. It should measure the same at both ends.
3. Place jig into position and hold in place with clamps (not included).



4. With router placed on jig, set the depth of the bit according to the thickness of hinge being installed.
5. Rout mortise.
6. Square out corners of mortise with hand chisel.
7. Install hinge.



Create with Confidence™

© Rockler Companies Inc. 2006