

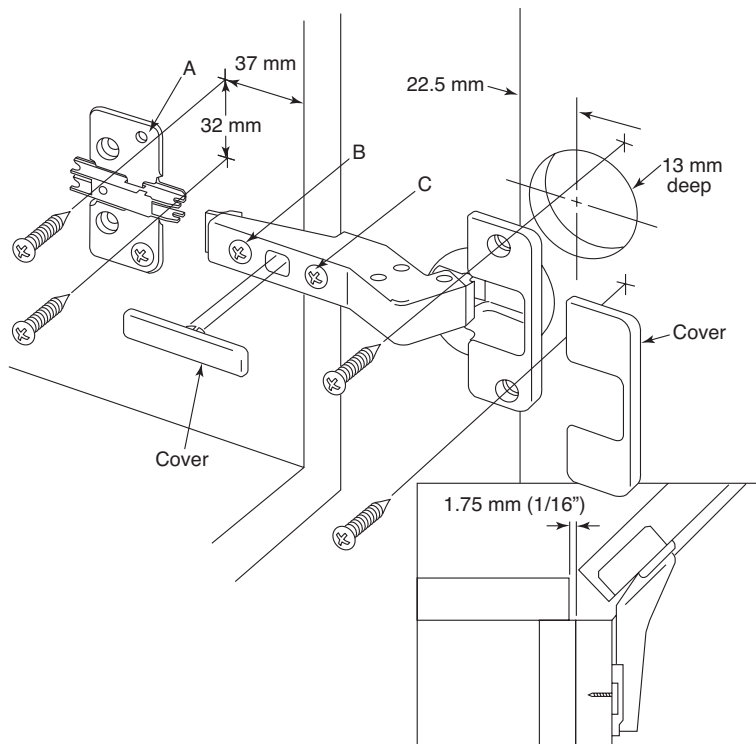
Clip Top Cross Corner Hinge

Installation

1. To locate center of hinge cup hole on back side of door, measure over from edge of door 22.5mm (7/8" and drill a 35mm (1-3/8") diameter by 13mm (1/2") deep hole.
2. Insert hinge into 35mm (1-3/8") hole and position hinge so arm is perpendicular to edge of door. Screw in place.
3. Next, locate the hinge mounting plate so that the center of the two are 37mm (1-7/16") from the edge of the cabinet.
- Clip hinge arm onto mounting plate.
4. Adjust alignment screws as needed to align door with cabinet.

Adjustments

- A.** Up-Down adjustment of door: Turn screw A left or right on mounting plate to adjust door height.
- B.** Front-Back adjustment of door: Loosen screw B on hinge arm to adjust gap between door and cabinet face.
- C.** Right-Left Cabinet door adjustment of door: Loosen or tighten screw C to adjust the gap between doors, cabinet or wall.



55886

REV. 11/08

Create with Confidence™

© Rockler Companies Inc. 1999

309575

RTD10309575AA