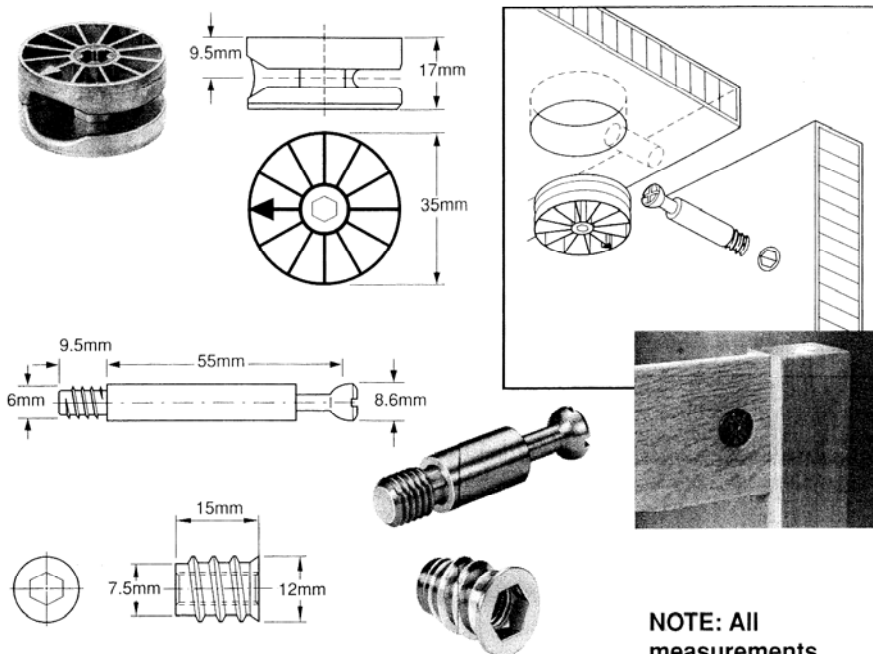
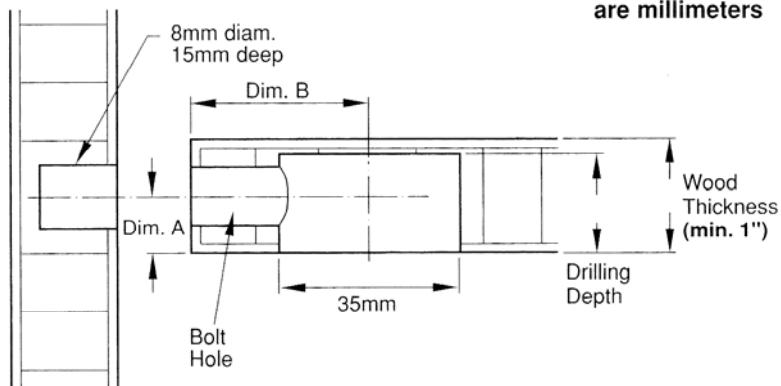


MaxiFit Connector



NOTE: All measurements are millimeters



Bolt Hole = $\text{Ø } 10 \text{ mm}$
 Drilling Depth = $1/2 \text{ wood thickness} + 7.5 \text{ mm}$
 Dimension A = $1/2 \text{ wood thickness}$
 Drilling Dimension B = 55 mm , drilling distance from housing center to front edge

ROCKLER®
 WOODWORKING AND HARDWARE

57218

© Rockler Companies Inc. 2003

RTD10311456AA