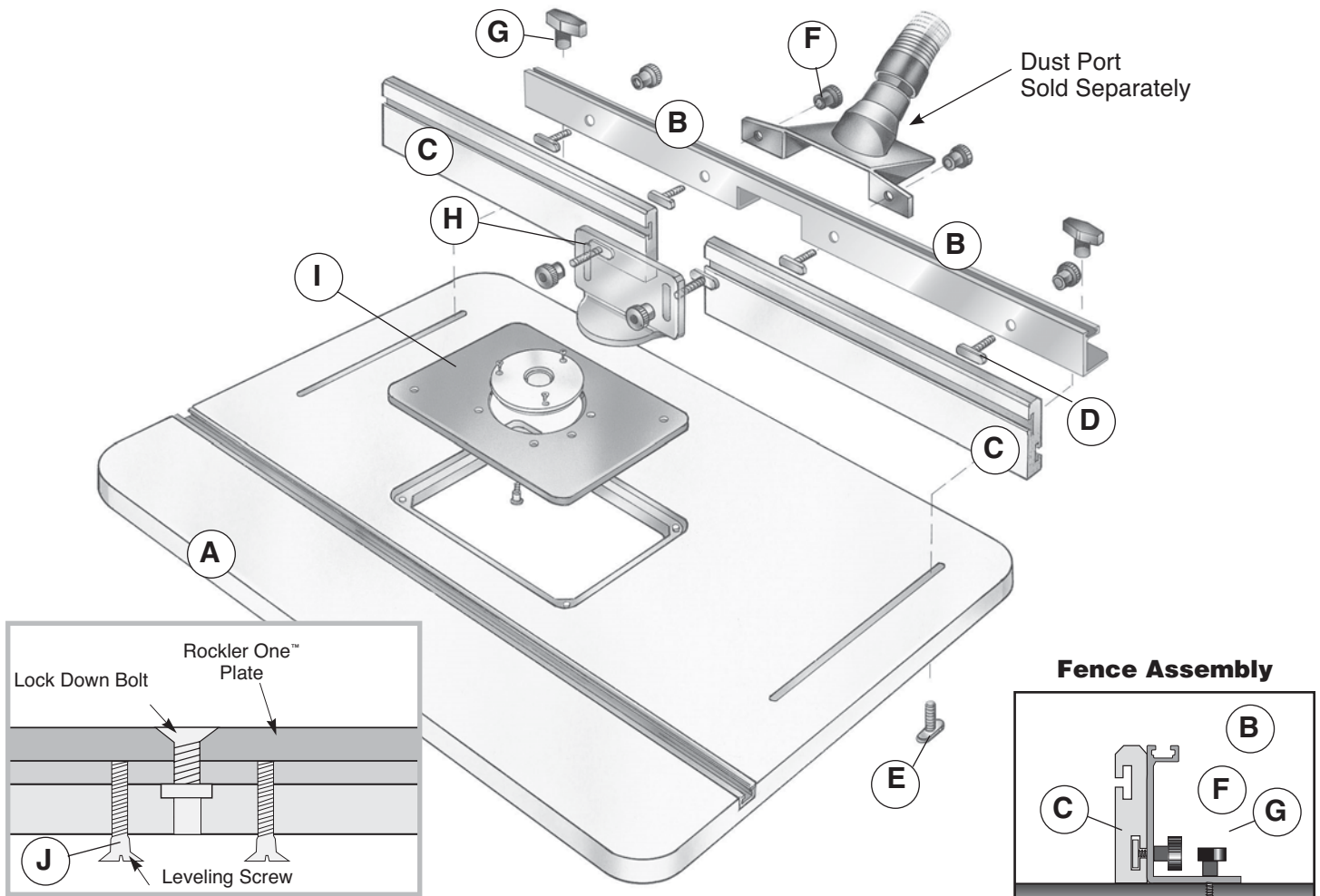
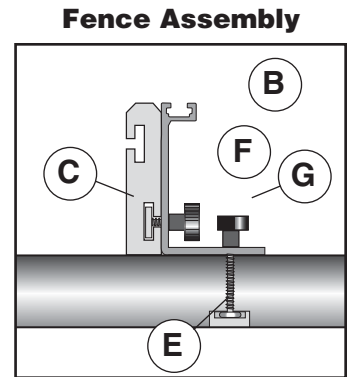


Router Table & Fence Assembly Instructions



Eight levelers in the router table top are adjusted from below to keep the plate flush with the table surface while two locking bolts hold the plate in position, eliminating any shifting during use.



Packing list	
A 1 1/8" x 24" x 32" High pressure laminate covered MDF Router Table
B 1 1/2" x 1 1/2" x 32" Aluminum Router Table Fence (blue)
C 3" x 16" x 3/4" MDF Router Table Fence Faces
D 5/16-18 x 1" T-bolts
E 5/16-18 x 1 1/2" T-bolts
F 1" Round Knob with 5/16-18 through hole
G 2" T-knob with 5/16-18 through hole
H Safety Guard
I* 8 3/4" x 11 3/4" Aluminum Router Plate (specific to your order)
J 1 1/2" Plate Leveling Screws
Dust port sold separately	



Create with Confidence™

© Rockler Companies Inc. 2010

RTD10314617AB