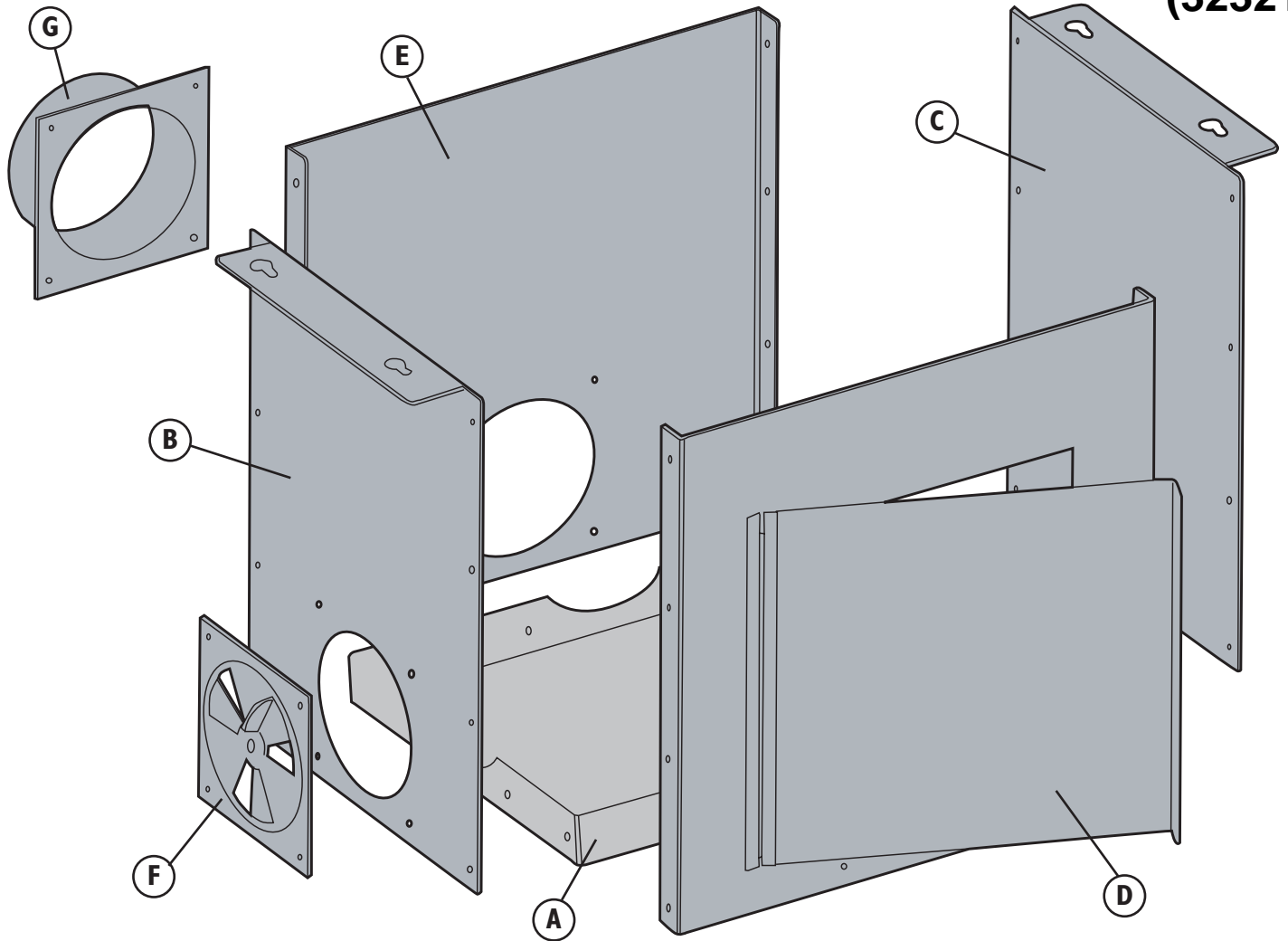


(32321)



The Rockler Router Table Dust Bucket contains a vast majority of routing debris when you use both bucket and fence attachments with the Router Table Dual Port (#20225) and your 4" dust collection system.

## PARTS list - Dust Bucket

	Quantity
<b>A</b> Bottom	1
<b>B</b> Side with port or vent opening	1
<b>C</b> Side	1
<b>D</b> Front Assembly (Front panel, Door, Hinge and Magnet)	1
<b>E</b> Back	1
<b>F</b> Vent Assembly	1
<b>G</b> 4" Dust Port	1
<b>H</b> #8-3/8" Screws (not shown)	28
<b>I</b> Cord Grommet (not shown)	1

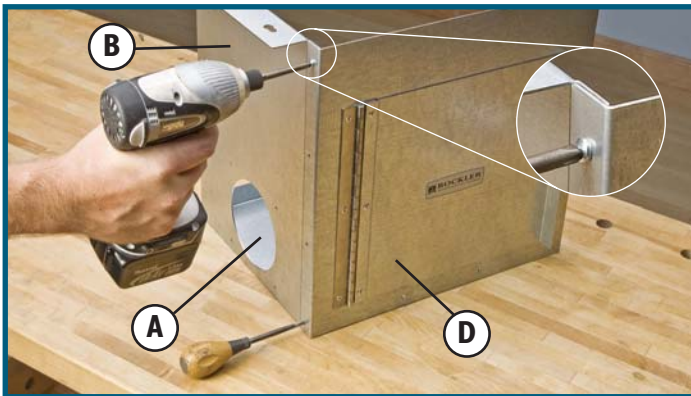


Fig. 1

### Set Up Instructions:

1. Place bottom (A) of Dust Bucket on a flat surface. The Vent (F, not shown) and 4" Dust Port (G) are interchangeable on the Side with Port (B) and Back (E). Determine which panels you would like the Vent and 4" Dust Port to be located. In our example shown, we are placing the vent on the left and the dust port on the back. In this case, we placed Side with Port (B) in place – top flange out – and positioned the Front Assembly (D) so it's side flange was on the outside of part B. To align the holes easily, place an awl or nail set into the bottom hole so it goes through all three parts. Next, attach a #8 screw (H) in the top hole and work your way down, removing the awl to attach the bottom screw. **Fig 1.**
2. On the opposite side, position Side (C) and repeat the process. The front should now be secured to the sides. **Fig 2.**
3. Position the back over the sides and repeat the same process using the awl to align the bottom holes and screw the box together from the top down.
4. Place the 4" port (G) and the Vent Assembly (D) in the desired location. Screw into place with provided screws. Attach screws in all remaining open holes on the front and sides. **Fig 3.**
5. Flip your Router Table upside down and center the Bucket on the plate opening. Use #10 or #12 pan head screws (not included) to attach it to the underside of the table. Keyhole slots in the top flanges allow for quick and easy removal. **Fig 4.**
6. Place two piece Cord Grommet (I) in the 1½" hole in the back of the bucket. Feed router power cord through grommet and snap the cover into place. **Fig 5.**

### Important Reminders:

When doing blind dadoes, open air vent slightly to bring in outside air to make your work piece slide over your table easier and prevent it from being sucked to the table by a powerful dust collection system.

When larger chips are being produced by your router, periodically check the port opening on the inside of the bucket to make sure it does not get clogged and block the port.

When using Dust Bucket with a router lift, periodically lubricate lift components.

Not intended for use with a portable wet/ dry vac. Use only with 4" dust collection system.

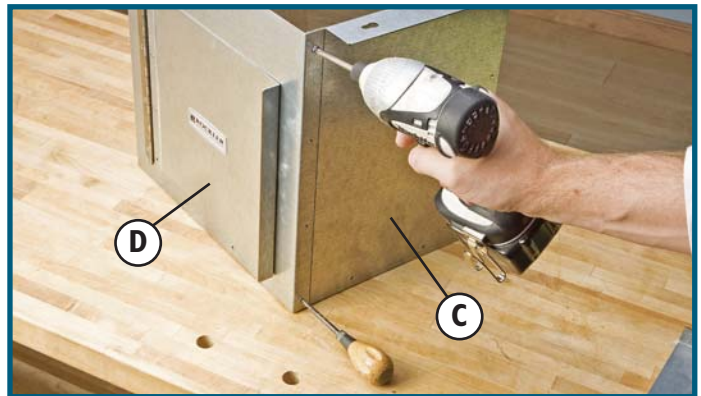


Fig. 2



Fig. 3



Fig. 4



Fig. 5