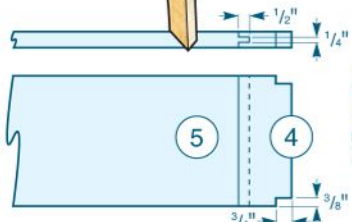
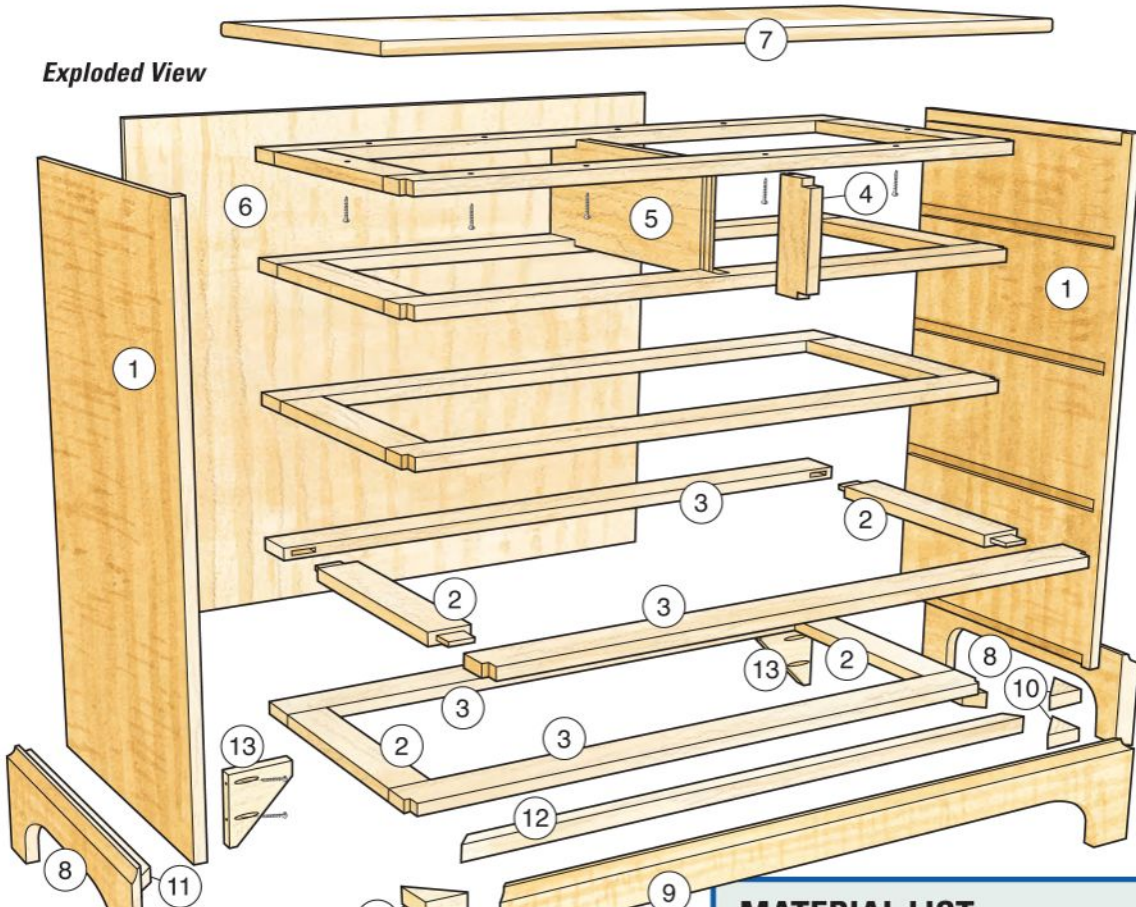
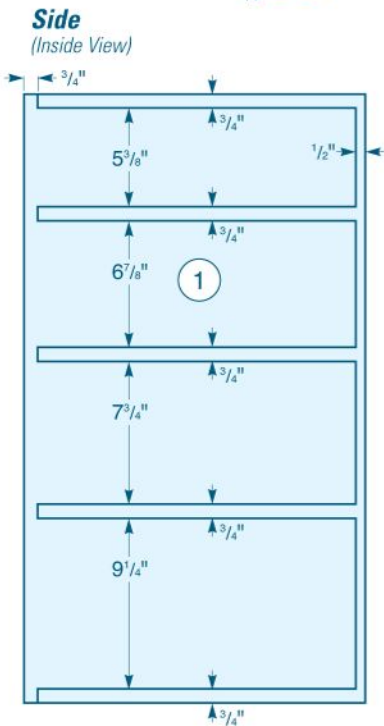


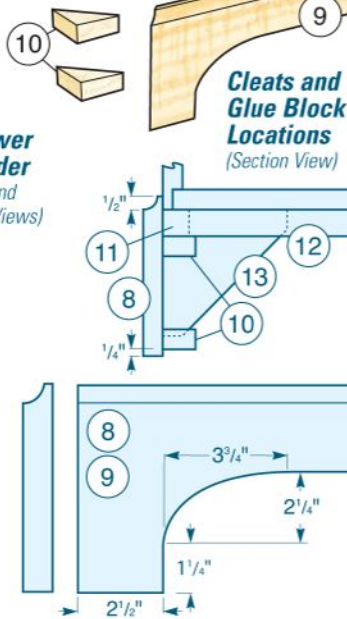
Exploded View



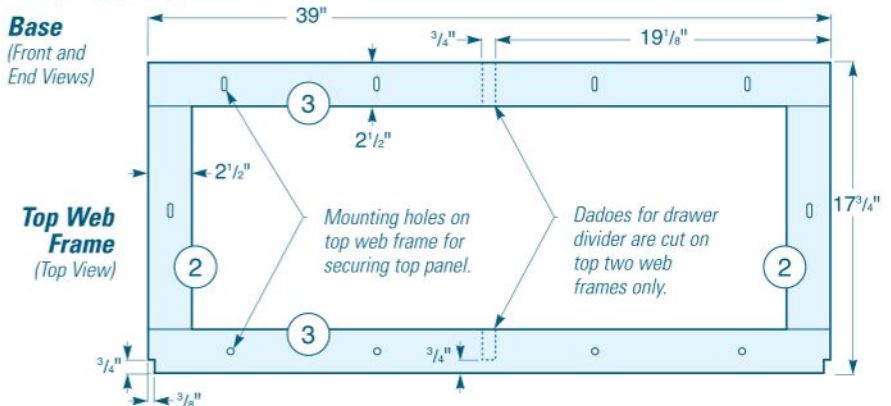
Drawer Divider
(Top and Side Views)



Side
(Inside View)



Cleats and Glue Block Locations
(Section View)



Base
(Front and End Views)

Top Web Frame
(Top View)

MATERIAL LIST

	T x W x L
1 Sides (2)	3/4" x 18 1/2" x 33"
2 Web Frame Rails (10)	3/4" x 2 1/2" x 15 1/4"
3 Web Frame Stretchers (10)	3/4" x 2 1/2" x 39"
4 Drawer Divider, Front (1)	3/4" x 2 1/2" x 6 5/8"
5 Drawer Divider, Back (1)	3/4" x 6 5/8" x 15 1/4"
6 Back Panel (1)	1/2" x 33" x 39"
7 Top (1)	3/4" x 19" x 42"
8 Base Sides (2)	3/4" x 6" x 19 1/4"
9 Base Front (1)	3/4" x 6" x 41 1/4"
10 Glue Blocks (4)	3/4" x 1 1/2" x 1 1/2"
11 Side Cleats (2)	1" x 1" x 17 1/4"
12 Front Cleat (1)	1" x 1" x 39 1/4"
13 Rear Support Blocks (2)	3/4" x 4 1/4" x 4 1/4"