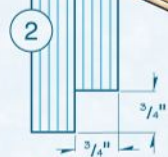


Center Shelves
(Front View)

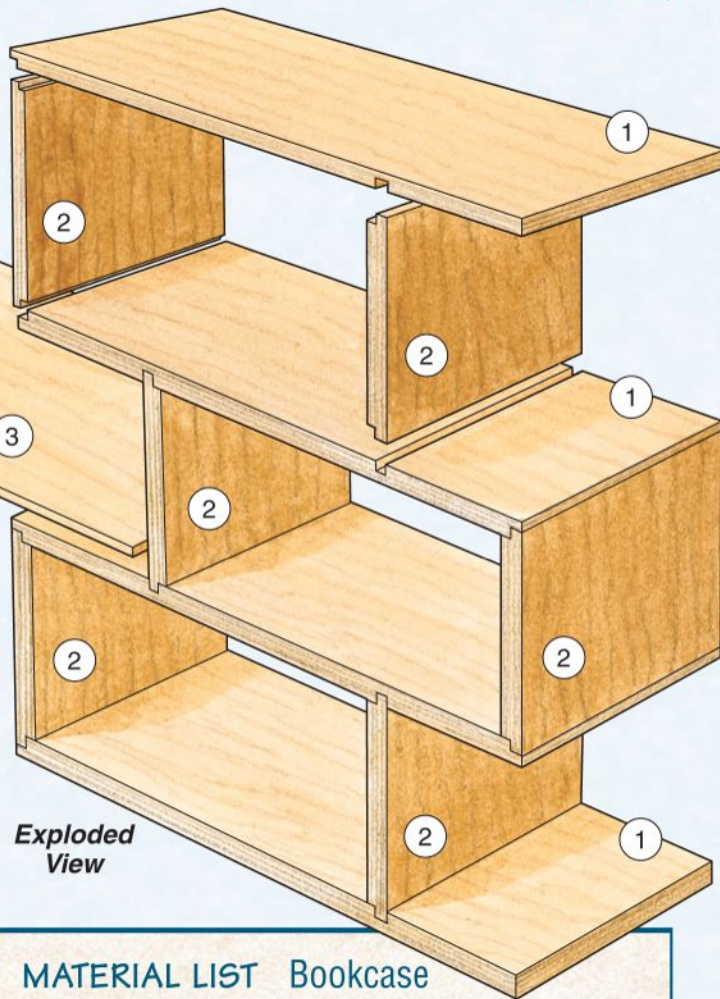
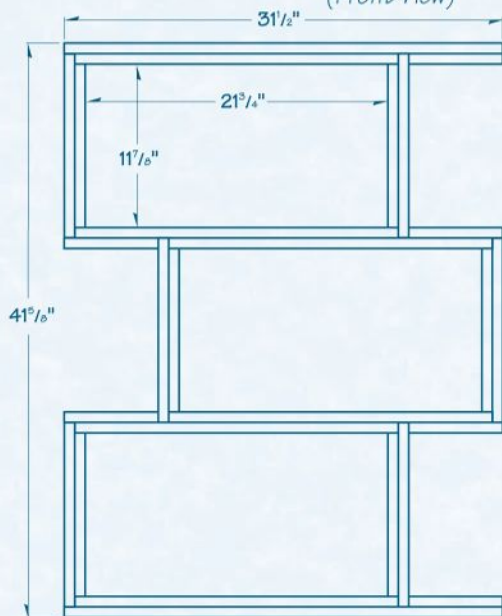


Note: The two center shelves have full 3/4" deep dadoes and rabbets on both faces, while the top and bottom shelves have dadoes and rabbets on one face only.



Uprights
(Front View)

Case Assembly
(Front View)



Exploded View

MATERIAL LIST Bookcase

	T x W x L
1 Shelves* (4)	1 1/2" x 11 7/8" x 31 1/2"
2 Uprights* (6)	1 1/2" x 11 7/8" x 13 3/8"
3 TV Shelf (1)	3/4" x 11 7/8" x 63 3/8"
4 TV Shelf Fascia (2)	3/4" x 2 1/2" x 50 3/8"

* Builds one three-compartment bookcase. Two complete bookcases with an additional TV shelf are shown in this article.