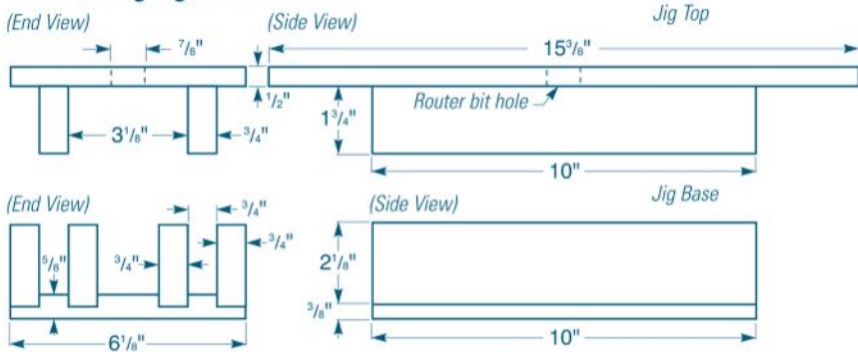


Tube Routing Jig Elevations



This jig controls the "window" cut on the PVC tubes. Clamp the pipe in place (photo at right). With the router secured to the jig top, align one end of the top to one end of the base. Plunge the bit into the pipe and push the router until the other end of the top aligns with the other end of the base — stop the cut and raise the router.