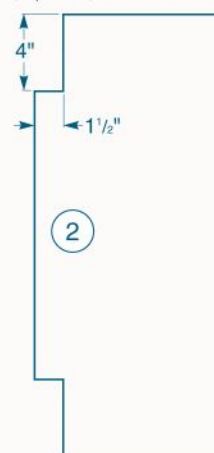
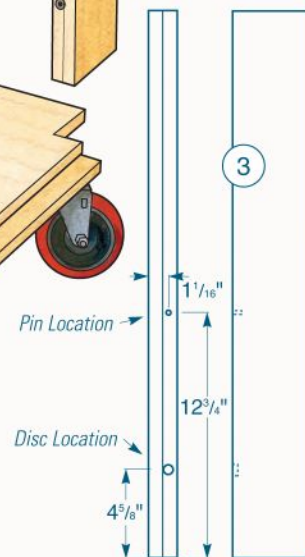


Inner Panel (Top View)



Leg (Side and Edge Views)



MATERIAL LIST (ROLLING CART)

T x W x L

1 Top/Bottom (2)	3/4" x 23" x 26"
2 Inner Panels (2)	3/4" x 23" x 26"
3 Leg Components (8)	3/4" x 4" x 28 1/2"
4 Aluminum Top (1)	1/8" x 23" x 26"