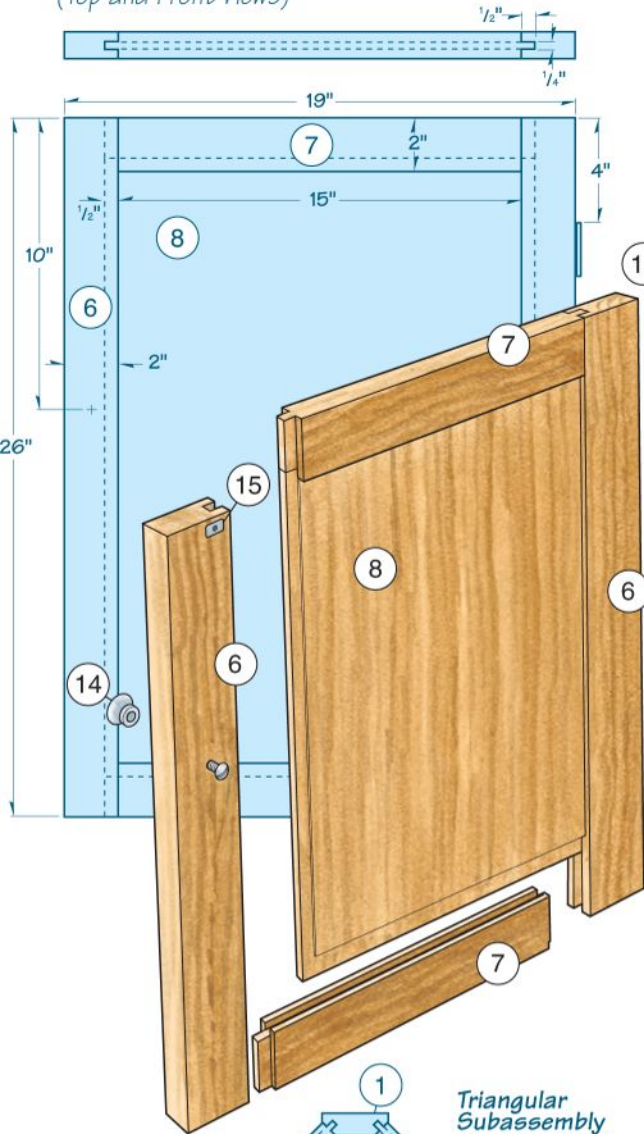
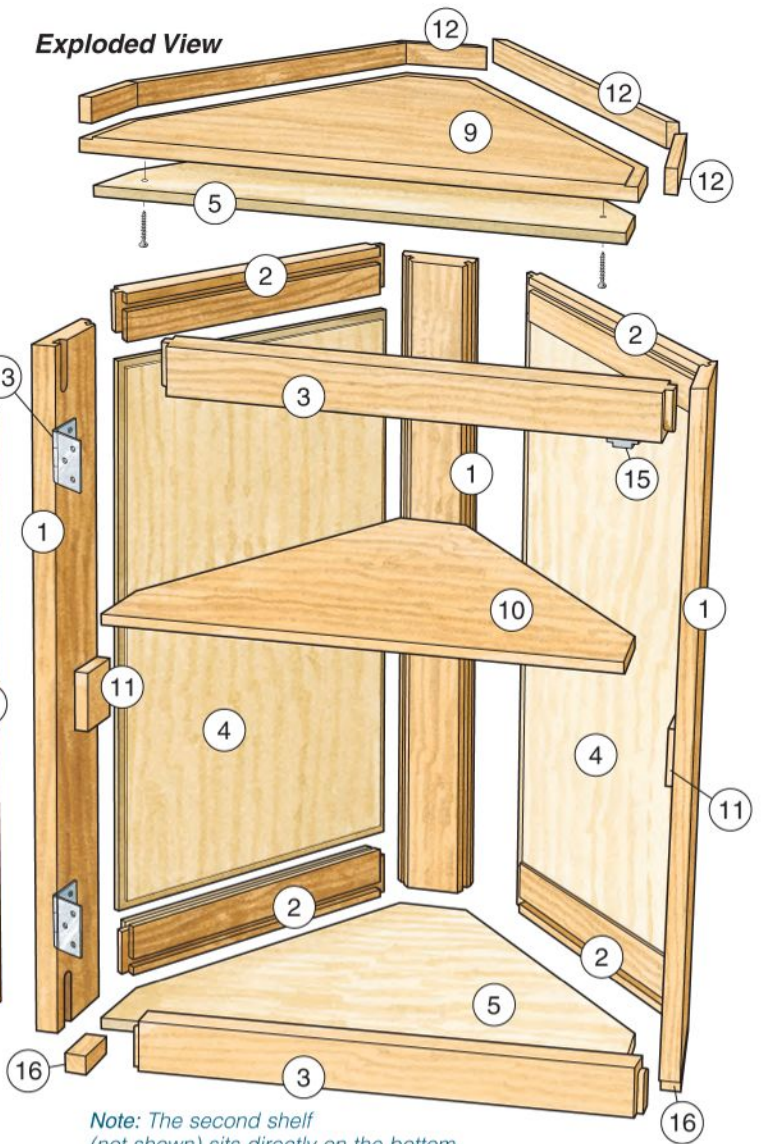


Door
(Top and Front Views)

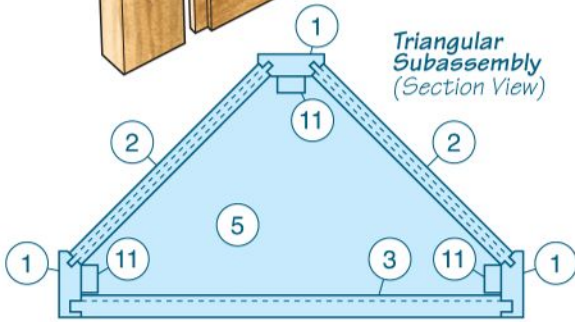


Exploded View



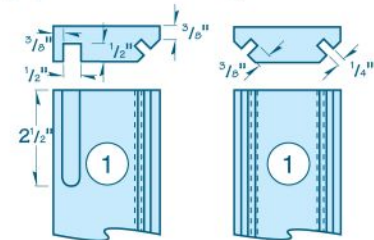
Note: The second shelf (not shown) sits directly on the bottom.

Triangular Subassembly
(Section View)

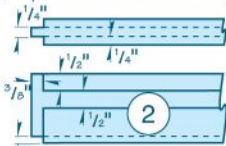


Note: The top and bottom sets of rails shown at right are mirror images of each other.

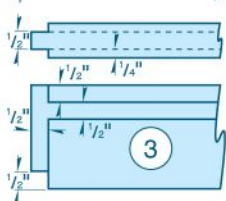
Frame Stiles
(Top and Inside Views)



Frame Side Rails
(Top and Inside Views)



Front Rails
(Top and Inside Views)



MATERIAL LIST

	T x W x L
1 Frame Stiles (3)	1" x 3" x 30"
2 Frame Side Rails (4)	3/4" x 2" x 12 3/4"
3 Front Rails (2)	1" x 3" x 20"
4 Side Panels (2)	1/2" x 12 3/4" x 26 3/4"
5 Bottom and Sub-top (2)	1/2" x 10 3/16" x 19"
6 Door Stiles (2)	1" x 2" x 26"
7 Door Rails (2)	1" x 2" x 16"
8 Door Panel (1)	3/8" x 16" x 23"
9 Top (1)	5/8" x 11 1/8" x 21"
10 Shelves (2)	5/8" x 9 15/16" x 19"
11 Shelf Supports (3)	5/8" x 1 1/4" x 3"
12 Backstop (5)	3/8" x 1" x Cut to fit
13 Hinges (1 pair)	Stainless Steel
14 Knob (1)	Stainless Steel
15 Magnetic Catch (1)	Low Profile
16 Feet (3)	1" x 1" x 2 1/2"