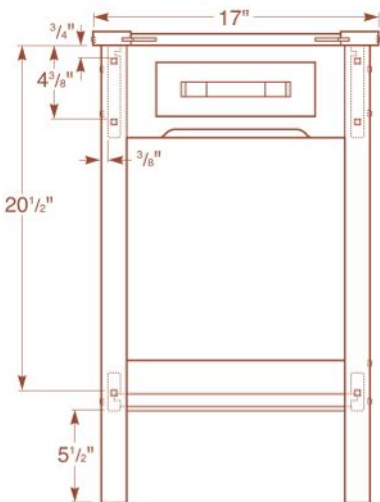


Bedside Table Elevation (Front View)



(Side View)

