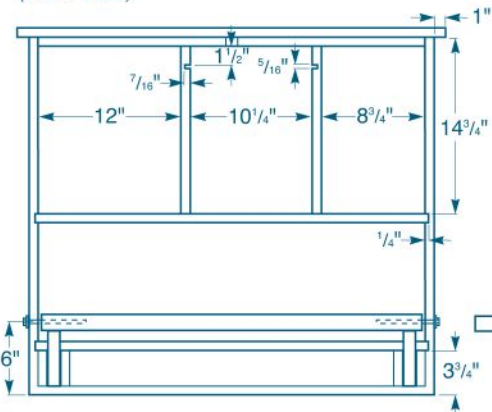
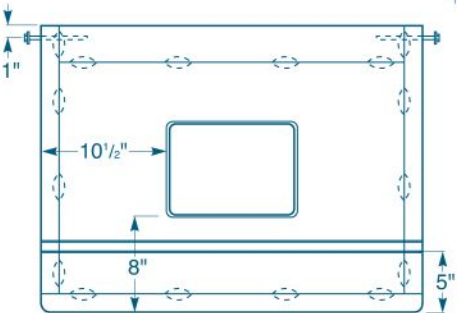
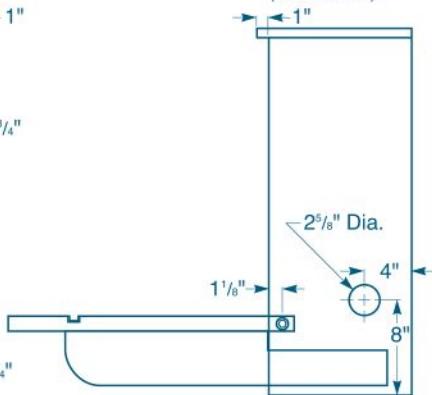


## Wall-mounted Router Table Carcass Elevations

(Front View)



(Side View)

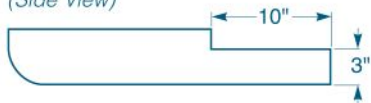


## Router Table Elevation

(Top View)

## Support Arm Elevation

(Side View)



Fit the support arms so that they have a bit of "slip room."  
Keep seasonal humidity variations in mind when you do so.