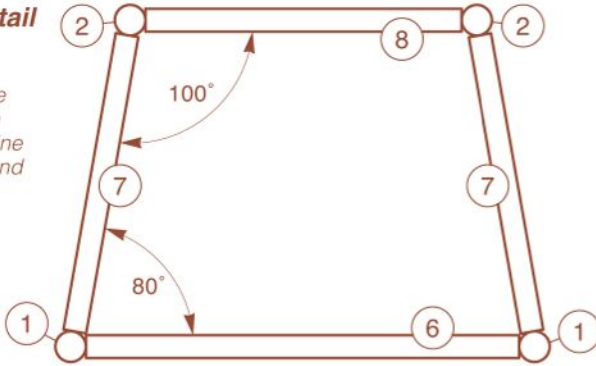


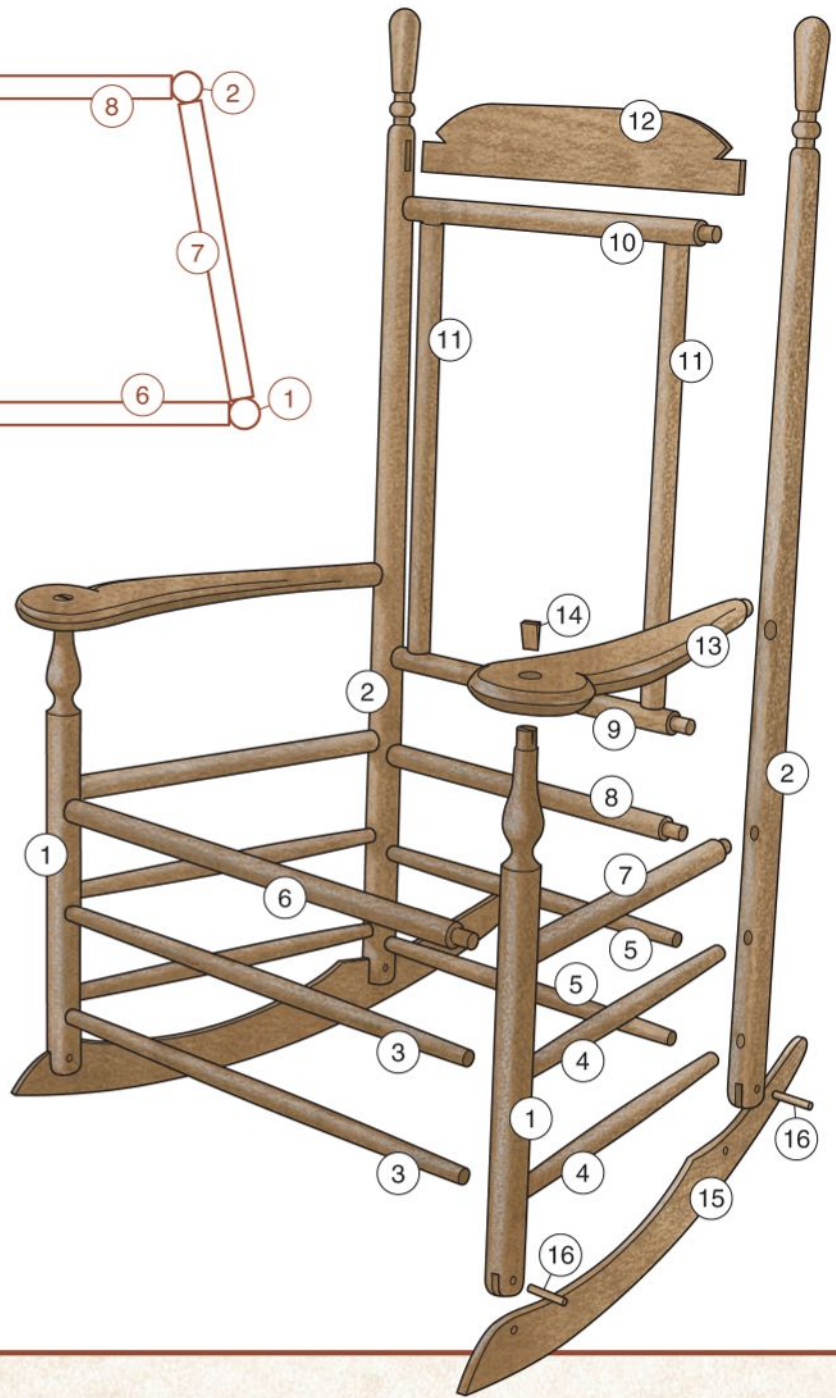
Seat Angle Detail
(Section View)

The author uses the indexing feature on his lathe to determine and mark the 80° and 100° angles.



Rocking Chair Exploded View

The author creates story sticks to describe and locate all of the important joinery details of this rocking chair.



MATERIAL LIST

	T x W x L		T x W x L
1 Front Posts (2)	1 1/2" Dia. x 20 3/4"	9 Backrest Lower Rung (1)	1" Dia. x 17 1/4"
2 Back Posts (2)	1 1/2" Dia. x 43 7/8"	10 Backrest Upper Rung (1)	1" Dia. x 17"
3 Front Spindle Rungs (2)	1" Dia. x 23"	11 Backrest Side Posts (2)	1" Dia. x 19 3/8"
4 Side Spindle Rungs (4)	1" Dia. x 16 1/2"	12 Crest Rail (1)	5/16" x 3" x 17"
5 Back Spindle Rungs (2)	1" Dia. x 17 1/4"	13 Arms (2)	3/4" x 4 1/4" x 18 1/4"
6 Seat Front Rung (1)	1" Dia. x 23"	14 Wedges (2)	1/16" x 5/8" x 3/4"
7 Seat Side Rungs (2)	1" Dia. x 16 1/2"	15 Rockers (2)	3/8" x 4" x 28"
8 Seat Back Rung (1)	1" Dia. x 17 1/4"	16 Rocker Dowels (4)	1/4" Dia. x 1 1/2"

NOTE: All measurements given are finished dimensions. Additional length and girth will be required for all blanks used to form the turned parts.