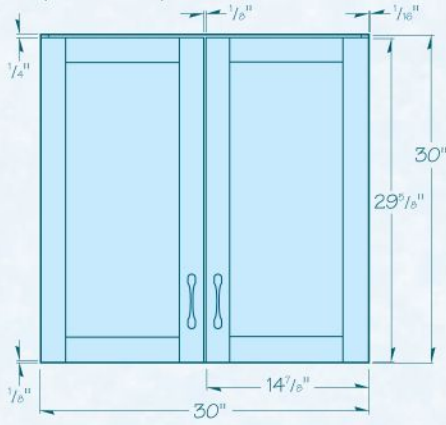
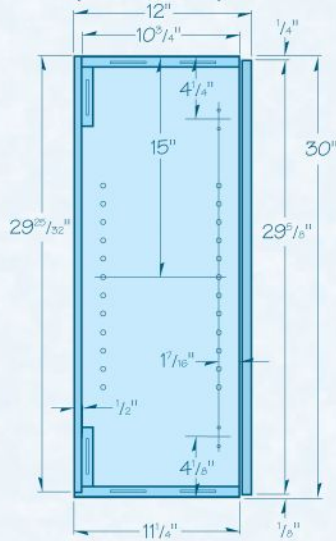


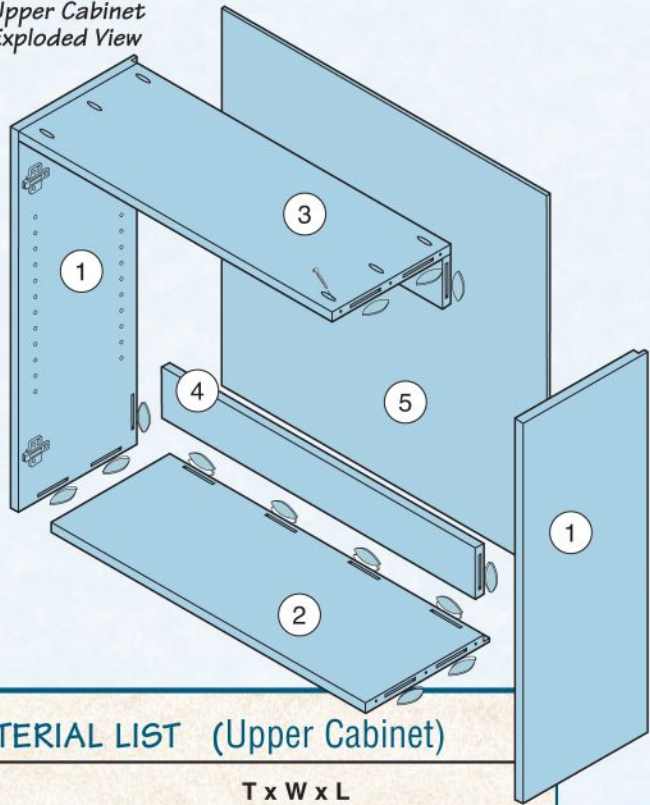
Upper Cabinet Elevation
(Front View)



Upper Cabinet
(Section View)



Upper Cabinet
Exploded View

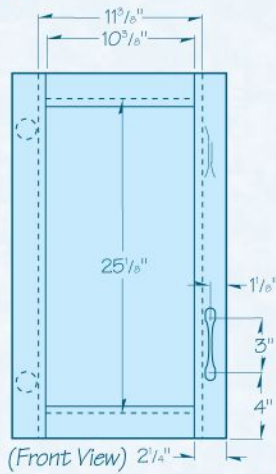
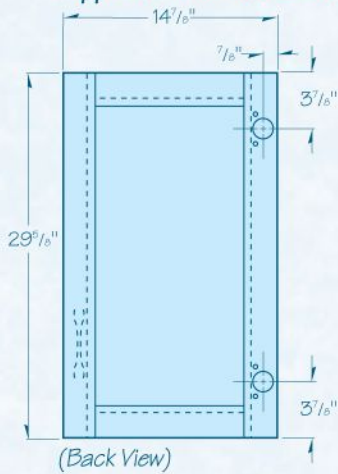


MATERIAL LIST (Upper Cabinet)

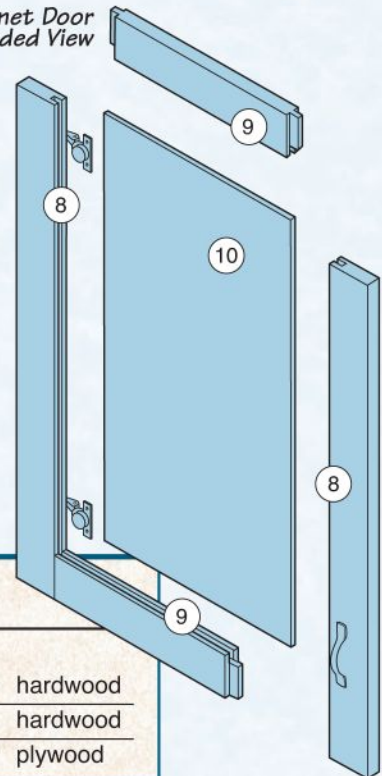
| | T x W x L | |
|-----------------------|-----------------------------|---------|
| 1 Sides* (2) | 23/32" x 11 1/4" x 30" | plywood |
| 2 Bottom* (1) | 23/32" x 11 1/4" x 28 9/16" | plywood |
| 3 Top* (1) | 23/32" x 10 3/4" x 28 9/16" | plywood |
| 4 Mounting cleats (2) | 23/32" x 4" x 28 9/16" | plywood |
| 6 Back (1) | 1/4" x 29 1/2" x 29 3/4" | plywood |
| 7 Shelf (2) | 23/32" x 10 1/2" x 28 5/16" | plywood |

* The approximate actual thickness of 3/4" plywood.

Upper Cabinet Door Elevations

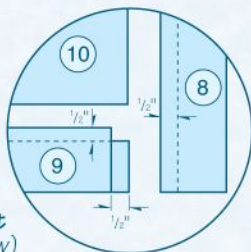


Upper Cabinet Door
Exploded View



MATERIAL LIST (Doors)

| | T x W x L | |
|---------------|--------------------------|----------|
| 8 Stiles (4) | 3/4" x 2 1/4" x 29 5/8" | hardwood |
| 9 Rails (4) | 3/4" x 2 1/4" x 11 3/8" | hardwood |
| 10 Panels (2) | 1/4" x 11 3/8" x 26 1/8" | plywood |



Door Joint
(Front View)